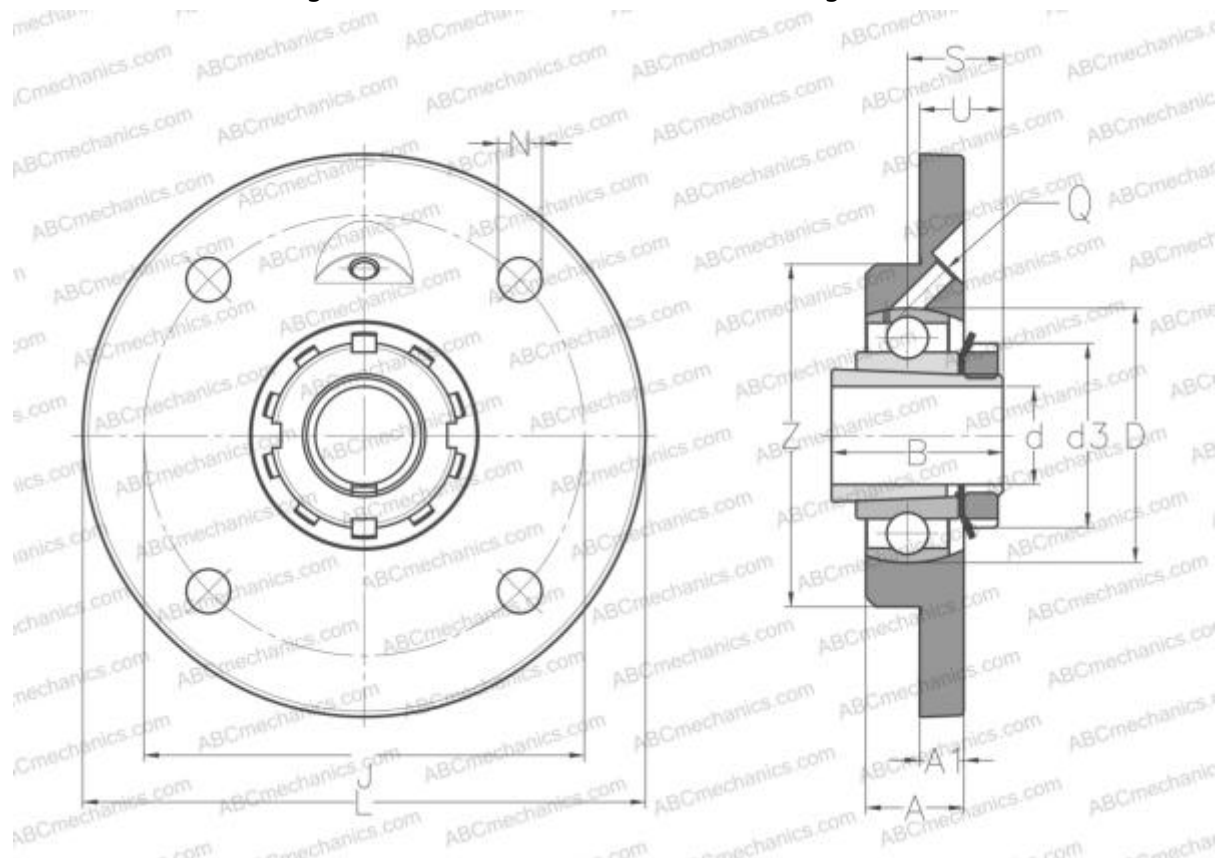


## UKFCE208H ABC

Ball bearing units

TYPE: Housing units, Four-bolt flanged housing units, Cast iron housing, Radial insert ball bearing with adapter sleeve, With inner ring extended on both sides, round flanged



### Technical specification

#### DIMENSIONS, MM

d	35,000
D	80,000
B	46,000
H	145,000
A	23,000
J	120,000
A1	11,500
N	11,500
S	24,500
d3	58,000
U	25,500
Z	100,000
Q	M6x1

Bearing	UK208 +
Housing	FCE208
Adapter sleeve	H2308

#### MANUFACTURER

[ABC](#)

#### INTERCHANGE

SNR	<a href="#">UKFCE208H</a>
-----	---------------------------

**WEIGHT, KG** 1,700