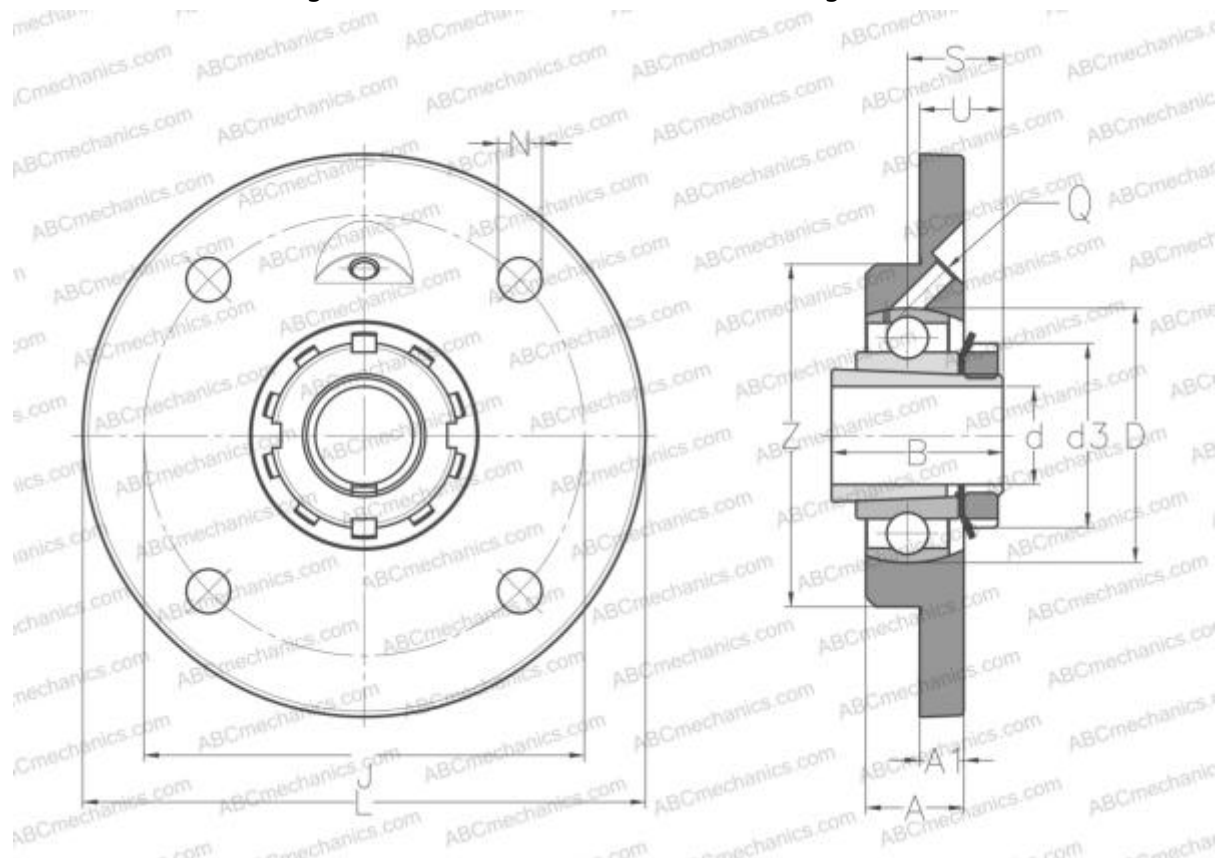


UKFCE209H SNR

Ball bearing units

TYPE: Housing units, Four-bolt flanged housing units, Cast iron housing, Radial insert ball bearing with adapter sleeve, With inner ring extended on both sides, round flanged



Technical specification

DIMENSIONS, MM

d	40,000
D	85,000
B	50,000
H	155,000
A	25,000
J	130,000
A1	12,000
N	14,000
S	26,000
d3	65,000
U	28,000
Z	105,000
Q	M6x1

Bearing	UK209 +
Housing	FCE209
Adapter sleeve	H2309

MANUFACTURER

[SNR](#)

INTERCHANGE

ABC	UKFCE209H
-----	---------------------------

CALCULATION DATA

Basic dynamic load rating, C	31,850 kN
Basic static load rating, Co	20,800 kN
Operating temperature min	-20 °C
Operating temperature max	110 °C

WEIGHT, KG	2,000
------------	-------