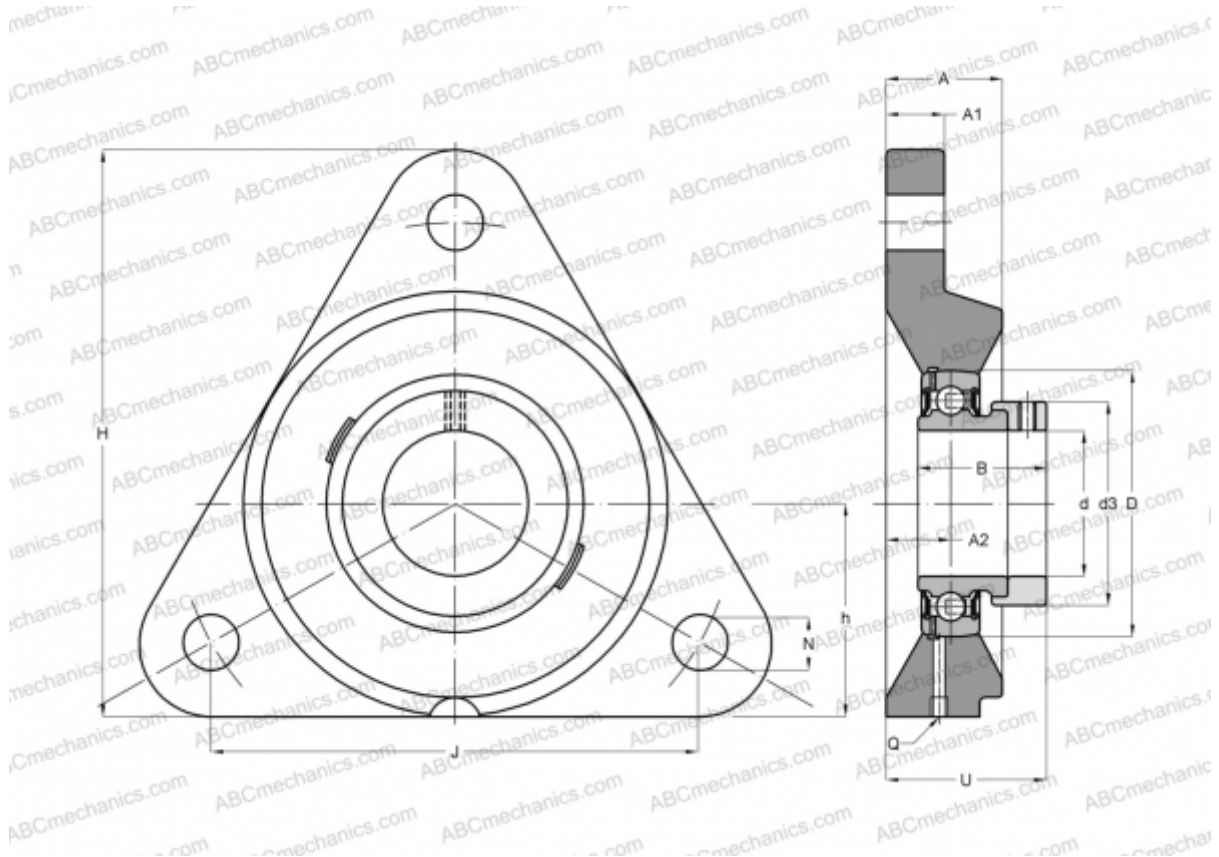


## ESFTE202 ABC

Ball bearing units

TYPE: Housing units, Three-bolt flanged housing units, Cast iron housing, Radial insert ball bearing with eccentric locking collar, With inner ring extended at one side



### Technical specification

#### DIMENSIONS, MM

d	15,000
D	40,000
B	28,600
H	81,000
A	20,000
J	76,100
A1	11,000
A2	10,000
N	11,500
S	6,500
d3	28,600
U	32,100
h	31,000
Q	M6x1

#### WEIGHT, KG

	0,400
Bearing	ES202
Housing	FTE202

#### MANUFACTURER

[ABC](#)

#### INTERCHANGE

INA	<a href="#">PCFTR15</a>
SNR	<a href="#">ESFTE202</a>