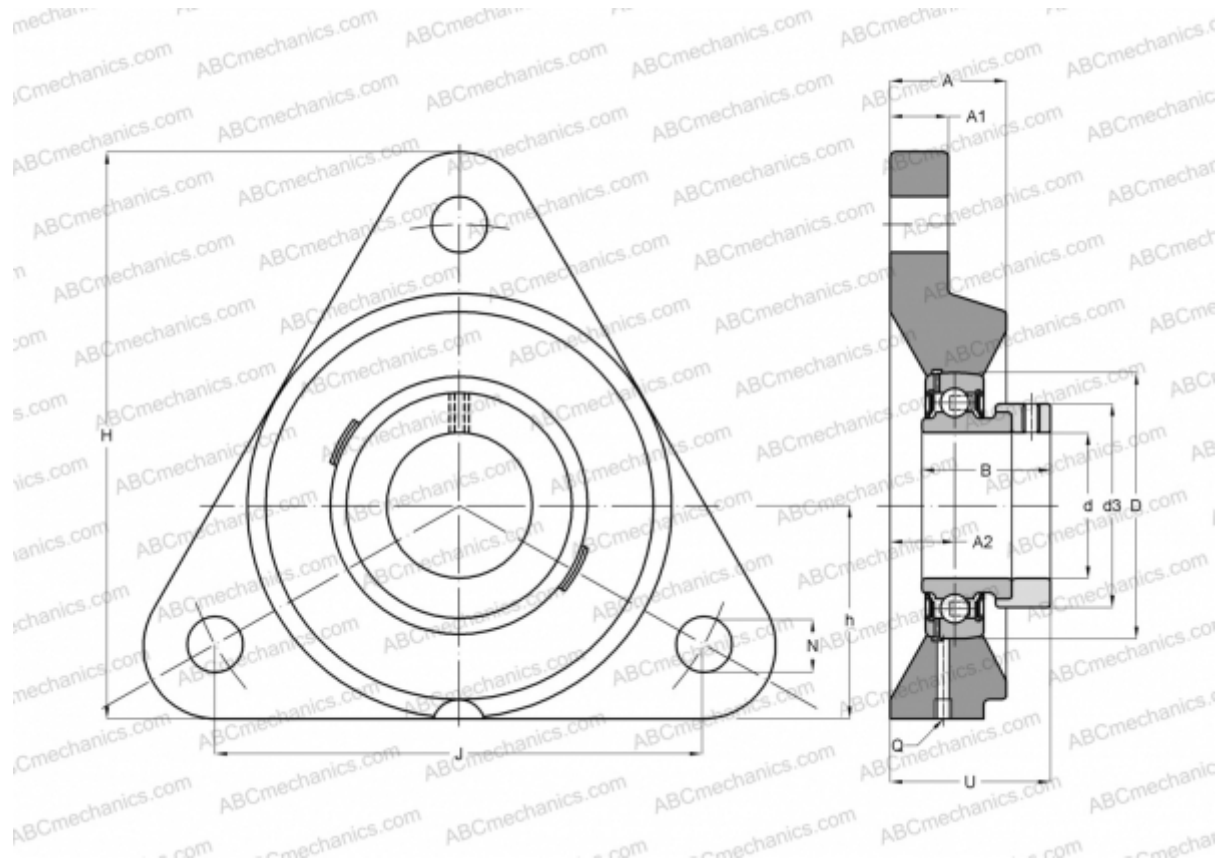


ESFTE203 ABC

Ball bearing units

TYPE: Housing units, Three-bolt flanged housing units, Cast iron housing, Radial insert ball bearing with eccentric locking collar, With inner ring extended at one side



Technical specification

DIMENSIONS, MM

d	17,000
D	40,000
B	28,600
H	81,000
A	20,000
J	76,100
A1	11,000
A2	10,000
N	11,500
S	6,500
d3	28,600
U	32,100
h	31,000
Q	M6x1

WEIGHT, KG

Bearing	ES203	0,400
Housing	FTE202	

MANUFACTURER

[ABC](#)

INTERCHANGE

INA	PCFTR17
SNR	ESFTE203