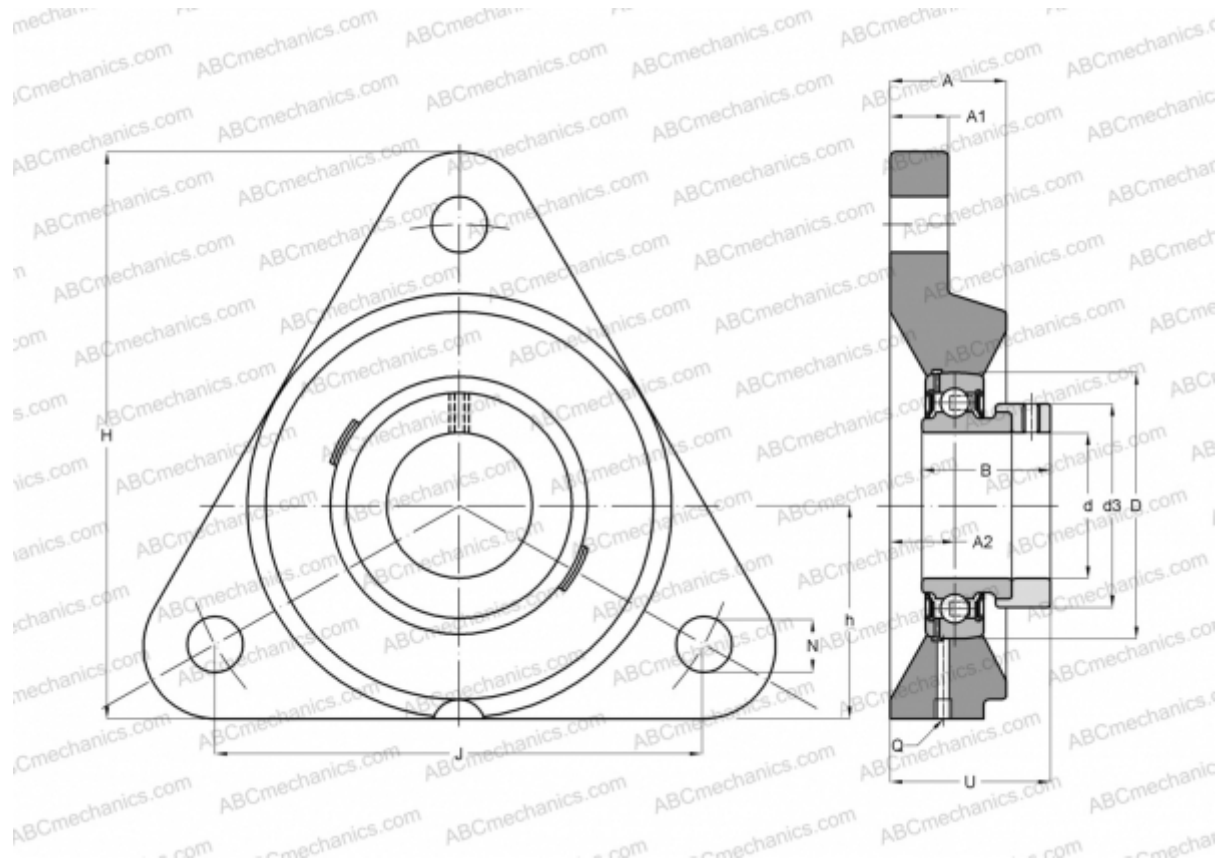


ESFTE204 SNR

Ball bearing units

TYPE: Housing units, Three-bolt flanged housing units, Cast iron housing, Radial insert ball bearing with eccentric locking collar, With inner ring extended at one side



Technical specification

DIMENSIONS, MM

d	20,000
D	47,000
B	30,900
H	92,000
A	20,000
J	89,500
A1	11,000
A2	11,000
N	11,500
S	7,500
d3	33,300
U	34,400
h	35,000
Q	R1/8"

WEIGHT, KG

	0,600
Bearing	ES204
Housing	FTE204

MANUFACTURER

[SNR](#)

INTERCHANGE

ABC	ESFTE204
INA	PCFTR20

CALCULATION DATA

Basic dynamic load rating, C	12,800 kN
Basic static load rating, Co	6,650 kN
Operating temperature min	-20 °C
Operating temperature max	110 °C