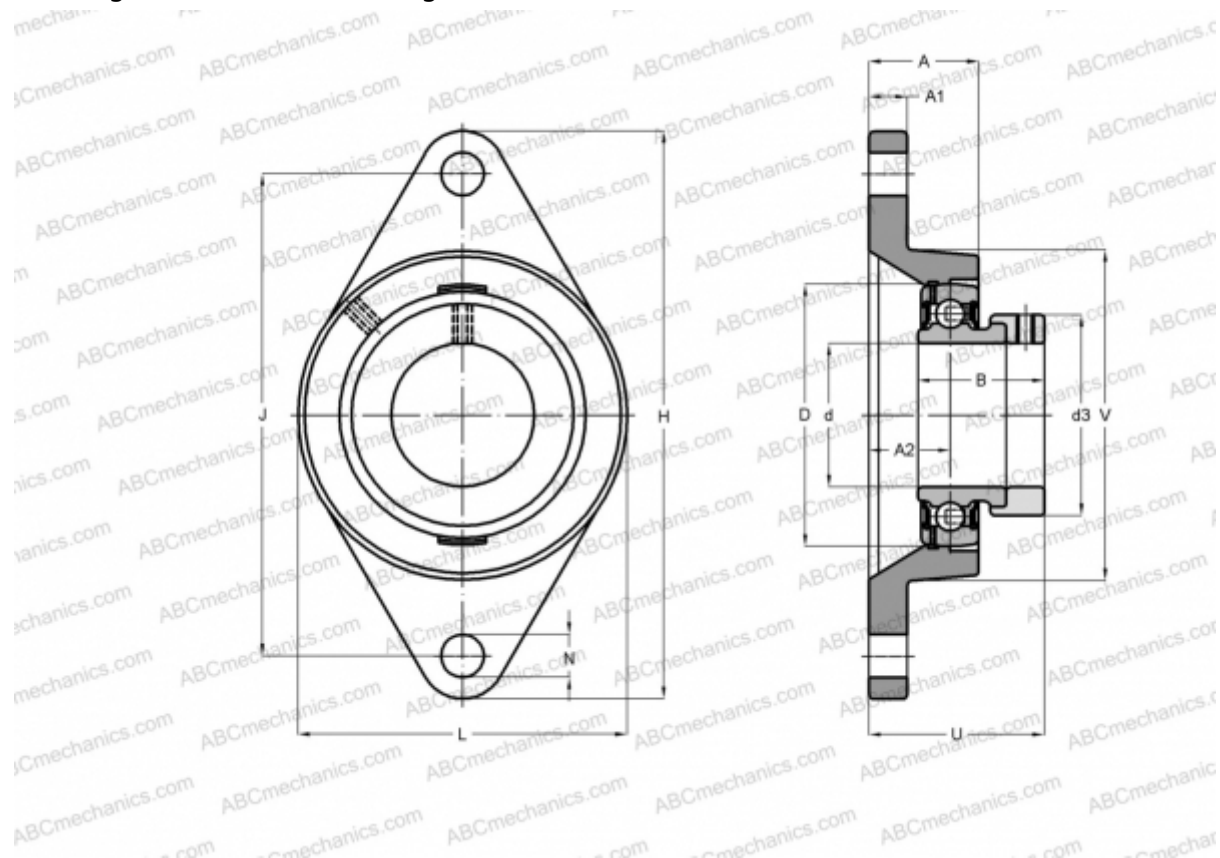


## FYTB 15 FM SKF

Ball bearing units

TYPE: Housing units, Two-bolt flanged housing units, Cast iron housing, Radial insert ball bearing with eccentric locking collar, With inner ring extended at one side



### Technical specification

#### DIMENSIONS, MM

d	15,000
D	40,000
B	28,600
L	57,000
H	98,500
A	26,000
J	76,500
A1	11,000
A2	22,100
N	11,500
d3	27,200
U	39,100
V	50,800

Bearing	YET 203/15
Housing	FYTB 503 M

#### MANUFACTURER

[SKF](#)

#### INTERCHANGE

ABC	<a href="#">ESFLE202</a>
INA	<a href="#">PCJT15</a>
SNR	<a href="#">ESFLE202</a>

#### CALCULATION DATA

Basic dynamic load rating, C	9,560 kN
Basic static load rating, Co	4,750 kN
Fatigue load limit, Pu	0,200 kN
Limiting speed	9500 r/min

WEIGHT, KG	0,420
------------	-------