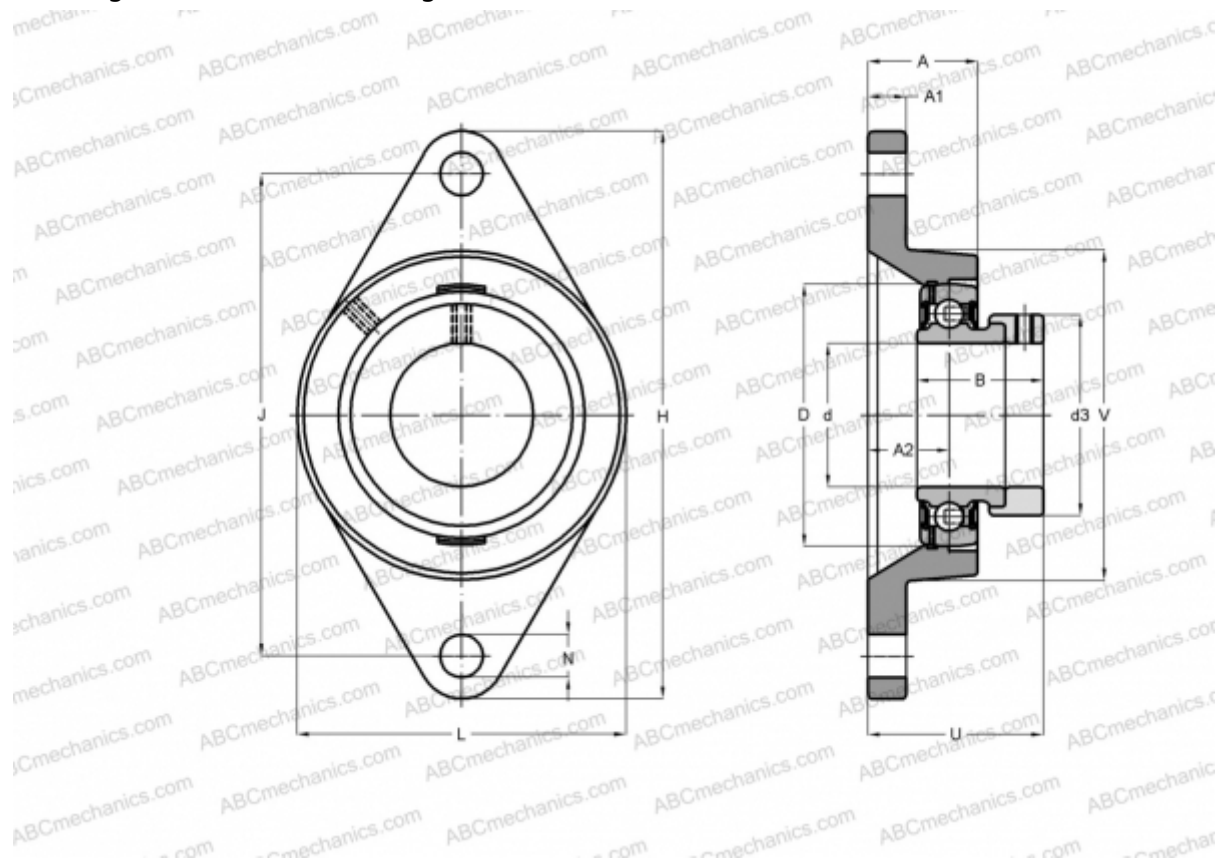


## PCJT15 INA

Ball bearing units

TYPE: Housing units, Two-bolt flanged housing units, Cast iron housing, Radial insert ball bearing with eccentric locking collar, With inner ring extended at one side



### Technical specification

#### DIMENSIONS, MM

d	15,000
D	40,000
B	28,600
L	57,000
H	99,000
A	25,000
J	76,500
A1	9,500
A2	17,000
N	11,500
d3	28,000
U	39,100
V	57,000
Q	M6

#### WEIGHT, KG

0,370

Bearing

GRAE15-NPP-B

Housing

GG.CFT03

#### MANUFACTURER

[INA](#)

#### INTERCHANGE

ABC

[ESFLE202](#)

SKF

[FYTB 15 FM](#)

SNR

[ESFLE202](#)

#### CALCULATION DATA

Basic dynamic load rating, C

9,800 kN

Basic static load rating, Co

4,750 kN