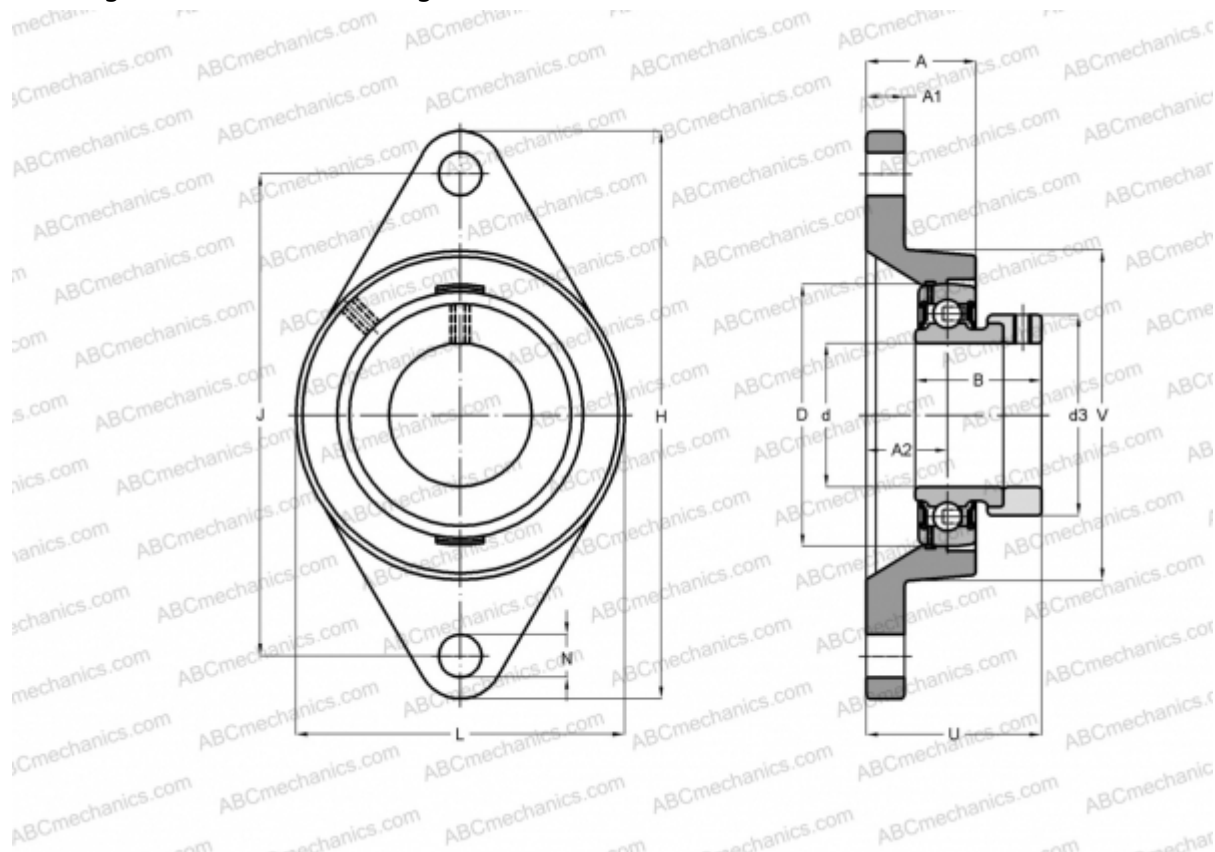


## ESFLE202 SNR

Ball bearing units

TYPE: Housing units, Two-bolt flanged housing units, Cast iron housing, Radial insert ball bearing with eccentric locking collar, With inner ring extended at one side



### Technical specification

#### DIMENSIONS, MM

d	15,000
D	40,000
B	28,600
L	57,000
H	99,000
A	26,000
J	76,500
A1	9,500
A2	17,000
N	11,500
S	6,500
d3	28,600
U	33,000
Q	R1/8"

#### CALCULATION DATA

Operating temperature max	110 °C
---------------------------	--------

#### WEIGHT, KG

	0,400
Bearing	ES202
Housing	FLE203

#### MANUFACTURER

[SNR](#)

#### INTERCHANGE

ABC	<a href="#">ESFLE202</a>
SKF	<a href="#">FYTB 15 FM</a>
INA	<a href="#">PCJT15</a>

#### CALCULATION DATA

Basic dynamic load rating, C	9,550 kN
Basic static load rating, Co	4,780 kN
Operating temperature min	-20 °C