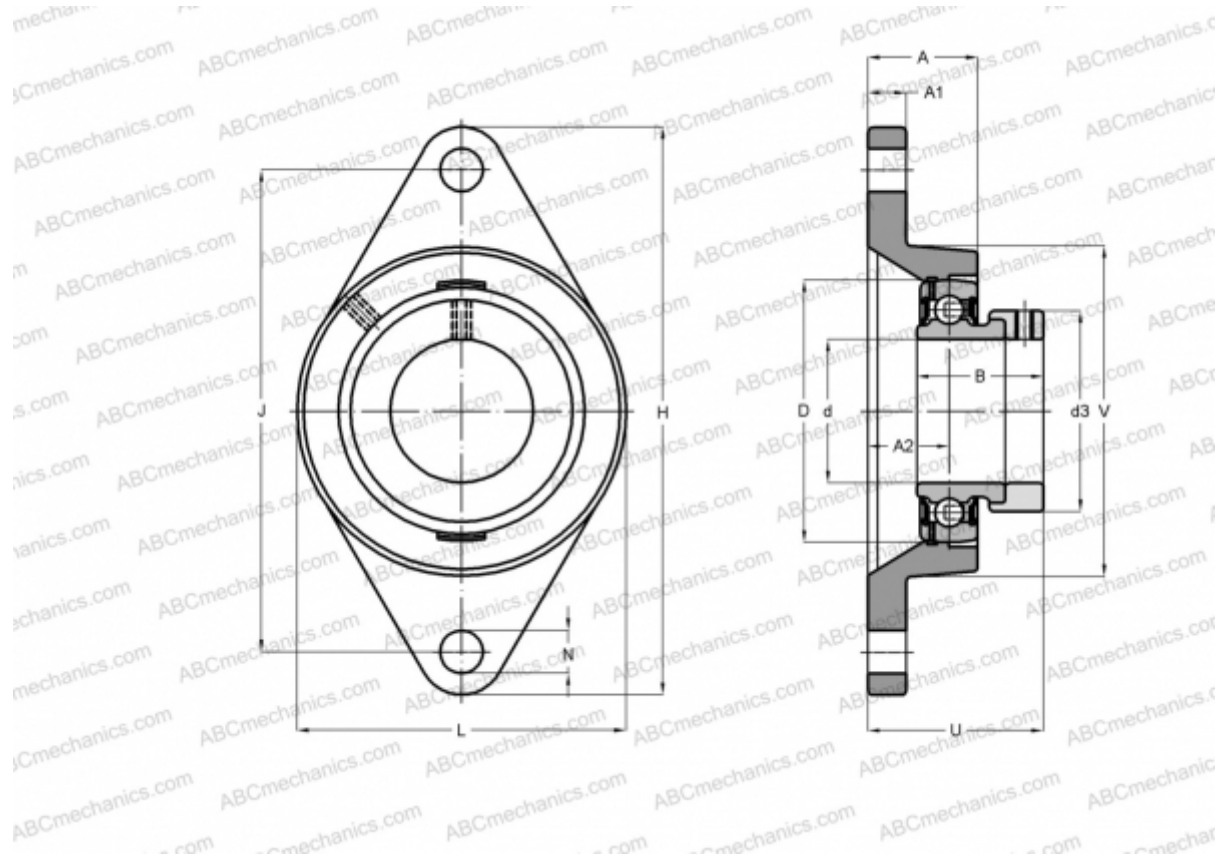


ESFLE203 ABC

Ball bearing units

TYPE: Housing units, Two-bolt flanged housing units, Cast iron housing, Radial insert ball bearing with eccentric locking collar, With inner ring extended at one side



Technical specification

DIMENSIONS, MM

d	17,000
D	40,000
B	28,600
L	61,000
H	112,000
A	30,300
J	90,000
A1	10,000
A2	19,000
N	11,500
S	6,500
d3	28,600
U	35,000
Q	R1/8"

WEIGHT, KG

	0,400
Bearing	ES203
Housing	FLE203

MANUFACTURER

[ABC](#)

INTERCHANGE

SNR	ESFLE203
-----	--------------------------