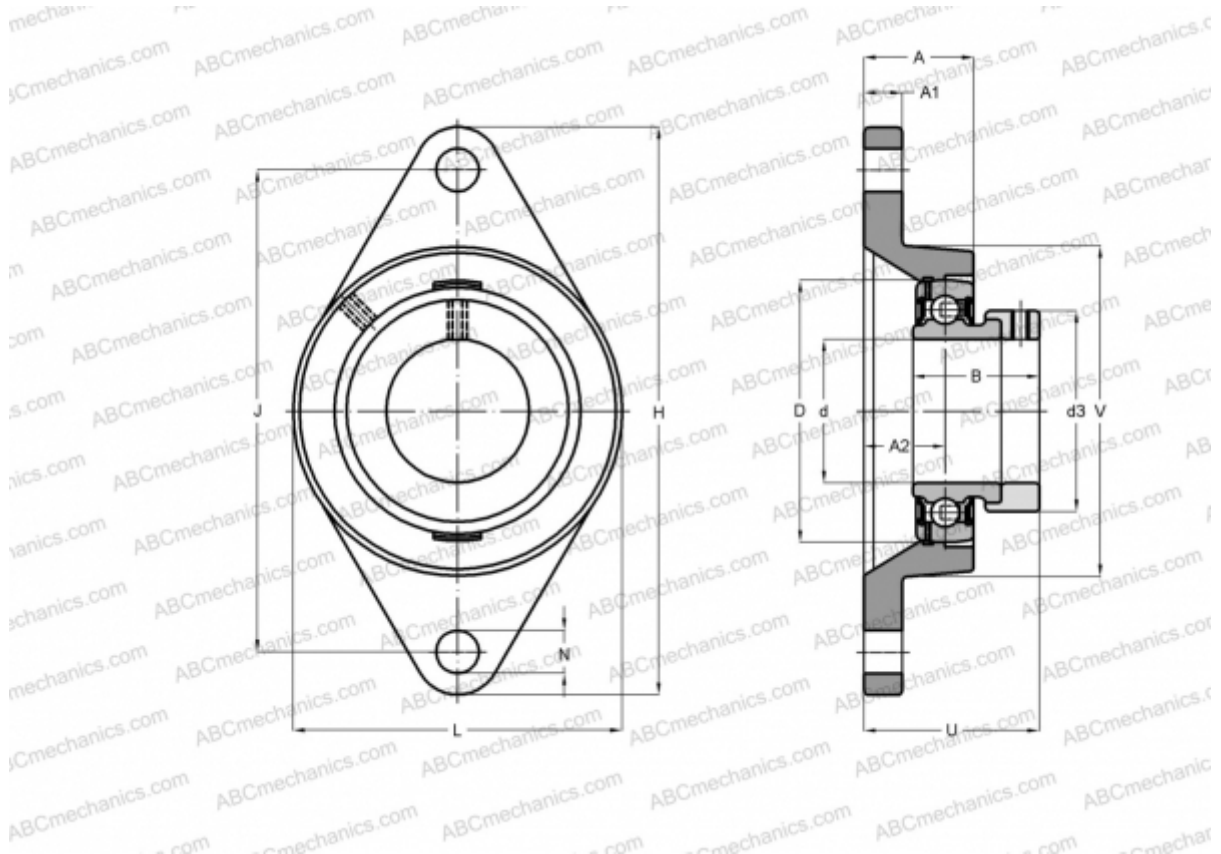


PCJT17 INA

Ball bearing units

TYPE: Housing units, Two-bolt flanged housing units, Cast iron housing, Radial insert ball bearing with eccentric locking collar, With inner ring extended at one side



Technical specification

DIMENSIONS, MM

d	17,000
D	40,000
B	28,600
L	57,000
H	99,000
A	25,000
J	76,500
A1	9,500
A2	17,000
N	11,500
d3	28,000
U	39,100
V	57,000
Q	M6

WEIGHT, KG

Bearing	0,370
Housing	GRAE17-NPP-B GG.CJT03

MANUFACTURER

[INA](#)

INTERCHANGE

ABC	PCJT17
SKF	FYTB 17 FM

CALCULATION DATA

Basic dynamic load rating, C	9,800 kN
Basic static load rating, Co	4,750 kN