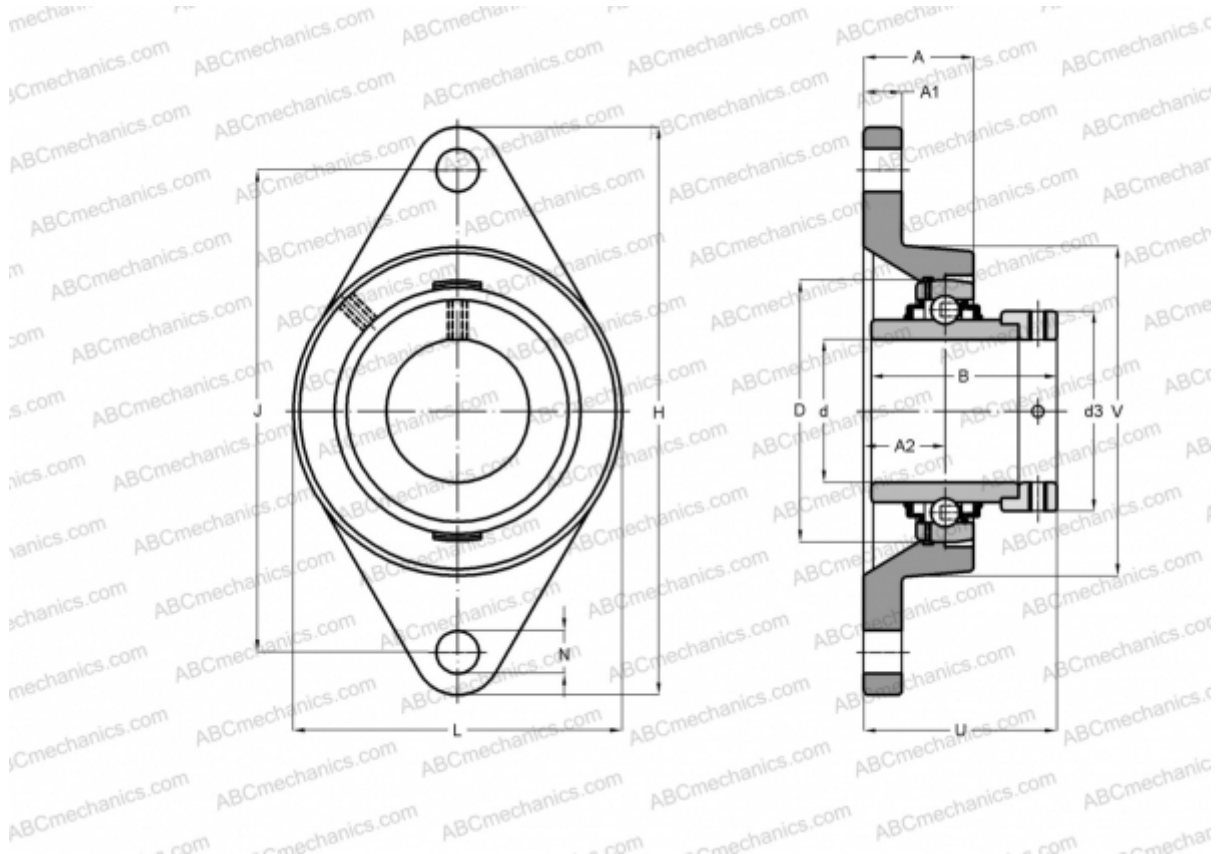


RCJT17 ABC

Ball bearing units

TYPE: Housing units, Two-bolt flanged housing units, Cast iron housing, Radial insert ball bearing with eccentric locking collar, With inner ring extended on both sides



Technical specification

DIMENSIONS, MM

d	17,000
D	40,000
B	37,400
L	57,000
H	99,000
A	25,000
J	76,500
A1	9,500
A2	17,000
N	11,500
d3	28,000
U	40,400
V	57,000
Q	M6

WEIGHT, KG

Bearing	0,410
Housing	GE17-KRR-B GG.CJT03

MANUFACTURER

[ABC](#)

INTERCHANGE

INA	RCJT17
-----	------------------------