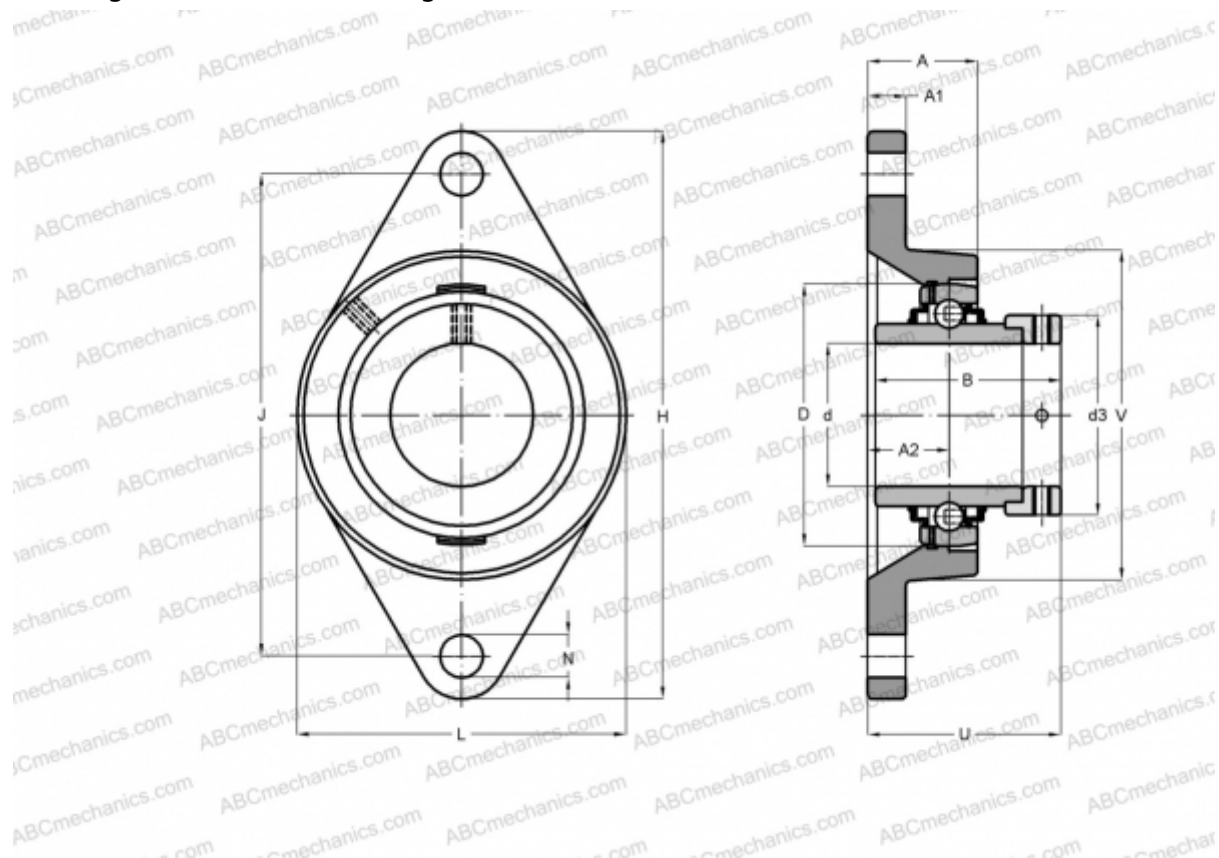


## RCJT20-N INA

Ball bearing units

TYPE: Housing units, Two-bolt flanged housing units, Cast iron housing, Radial insert ball bearing with eccentric locking collar, With inner ring extended on both sides



### Technical specification

#### DIMENSIONS, MM

d	20,000
D	47,000
B	43,700
L	61,000
H	112,000
A	28,000
J	90,000
A1	10,000
A2	19,000
N	11,500
d3	33,000
U	45,600
V	61,000
Q	Rp1/8

#### WEIGHT, KG

0,520

Bearing	GE20-KRR-B
Housing	GG.CJT04-N
Protective cover	KASK04

#### MANUFACTURER

[INA](#)

#### INTERCHANGE

ABC	<a href="#">EXFLE204</a>
SKF	<a href="#">FYTB 20 WF</a>
SNR	<a href="#">EXFLE204</a>

#### CALCULATION DATA

Basic dynamic load rating, C	12,800 kN
Basic static load rating, Co	6,600 kN