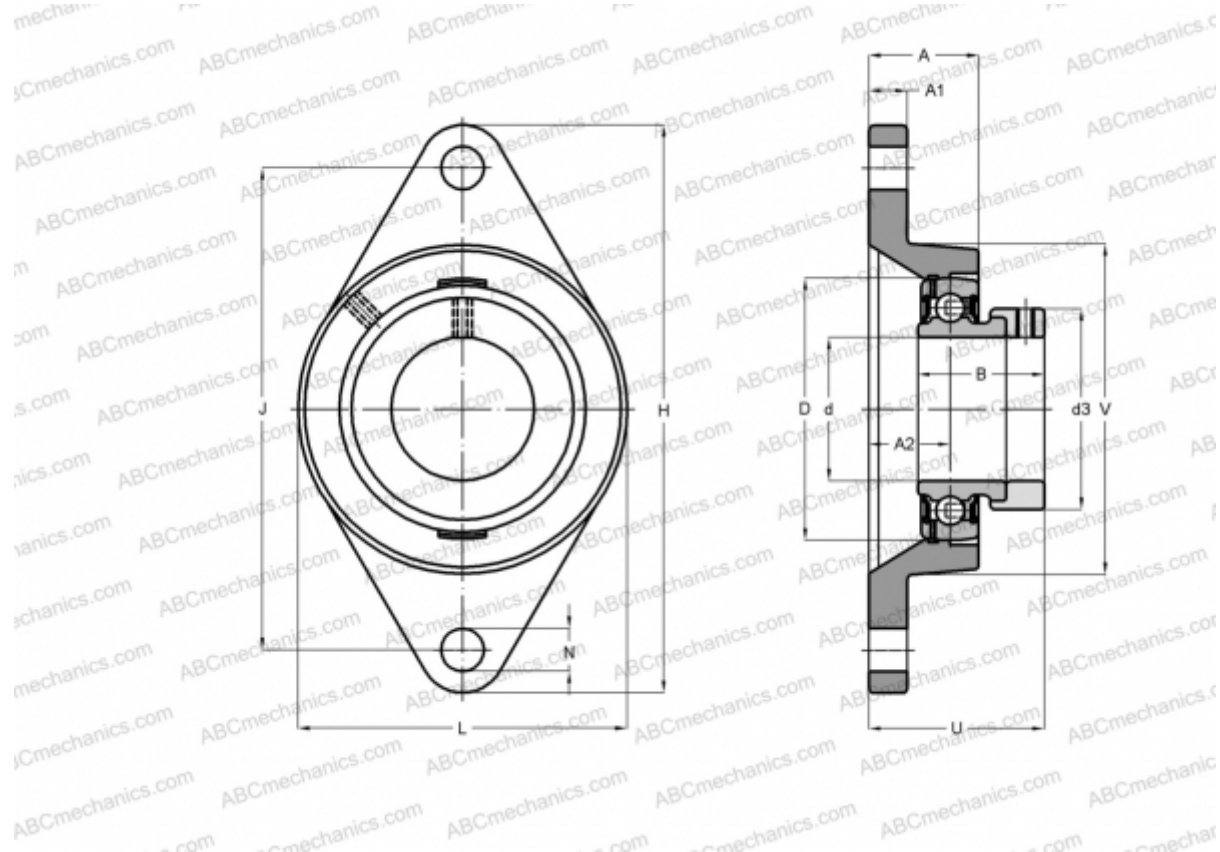


## ESFL202 ABC

Ball bearing units

TYPE: Housing units, Two-bolt flanged housing units, Cast iron housing, Radial insert ball bearing with eccentric locking collar, With inner ring extended at one side, wide base, massive bearing units



### Technical specification

#### DIMENSIONS, MM

d	15,000
D	40,000
B	28,600
L	57,000
H	99,000
A	25,500
J	76,500
A1	11,000
A2	15,000
N	12,000
S	6,500
d3	28,600
U	37,100
Q	M6x1

#### WEIGHT, KG

	0,400
Bearing	ES202
Housing	FL203

#### MANUFACTURER

[ABC](#)

#### INTERCHANGE

SNR	<a href="#">ESFL202</a>
-----	-------------------------