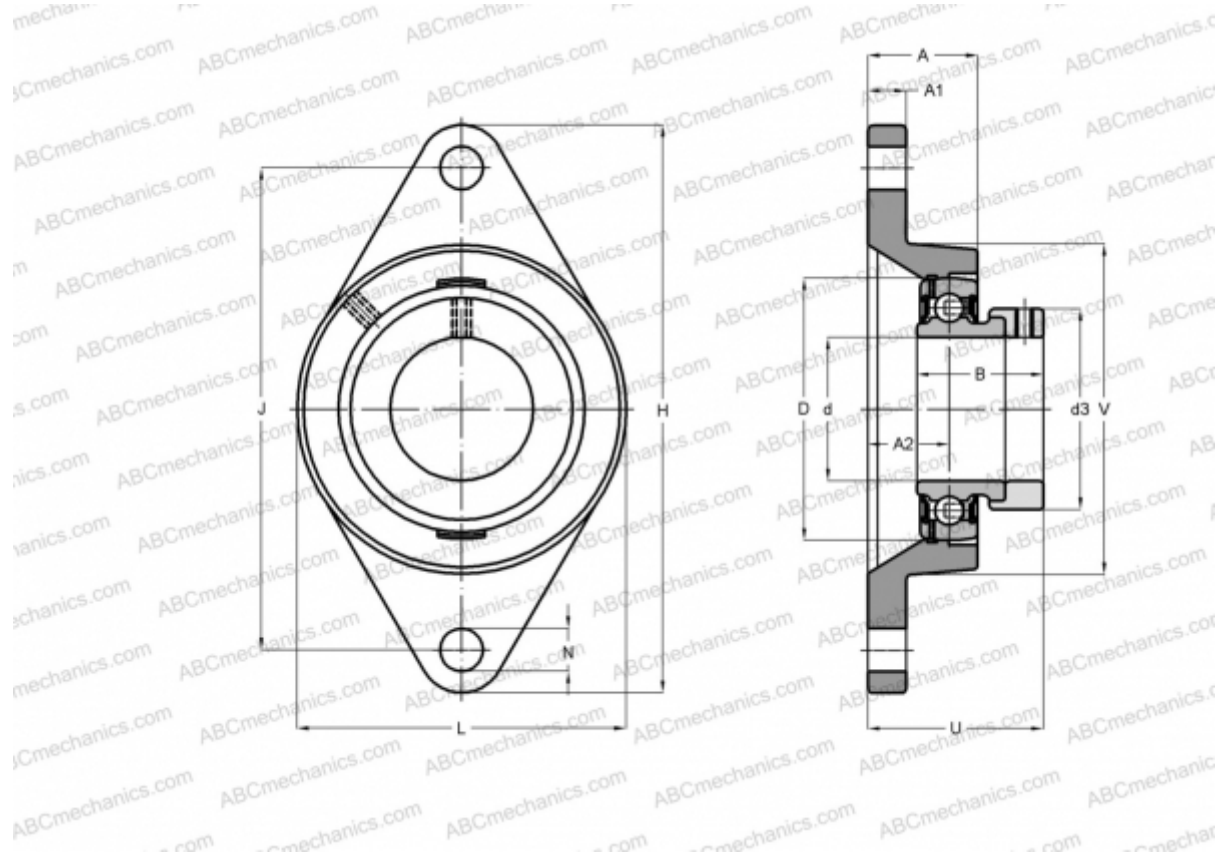


ESFL203 SNR

Ball bearing units

TYPE: Housing units, Two-bolt flanged housing units, Cast iron housing, Radial insert ball bearing with eccentric locking collar, With inner ring extended at one side, wide base, massive bearing units



Technical specification

DIMENSIONS, MM

| | |
|----|--------|
| d | 17,000 |
| D | 40,000 |
| B | 28,600 |
| L | 57,000 |
| H | 99,000 |
| A | 25,500 |
| J | 76,500 |
| A1 | 11,000 |
| A2 | 15,000 |
| N | 12,000 |
| S | 6,500 |
| d3 | 28,600 |
| U | 37,100 |
| Q | M6x1 |

WEIGHT, KG

| | |
|---------|-------|
| | 0,400 |
| Bearing | ES203 |
| Housing | FL203 |

MANUFACTURER

[SNR](#)

INTERCHANGE

| | |
|-----|-------------------------|
| ABC | ESFL203 |
|-----|-------------------------|

CALCULATION DATA

| | |
|------------------------------|----------|
| Basic dynamic load rating, C | 9,550 kN |
| Basic static load rating, Co | 4,780 kN |
| Operating temperature min | -20 °C |
| Operating temperature max | 110 °C |