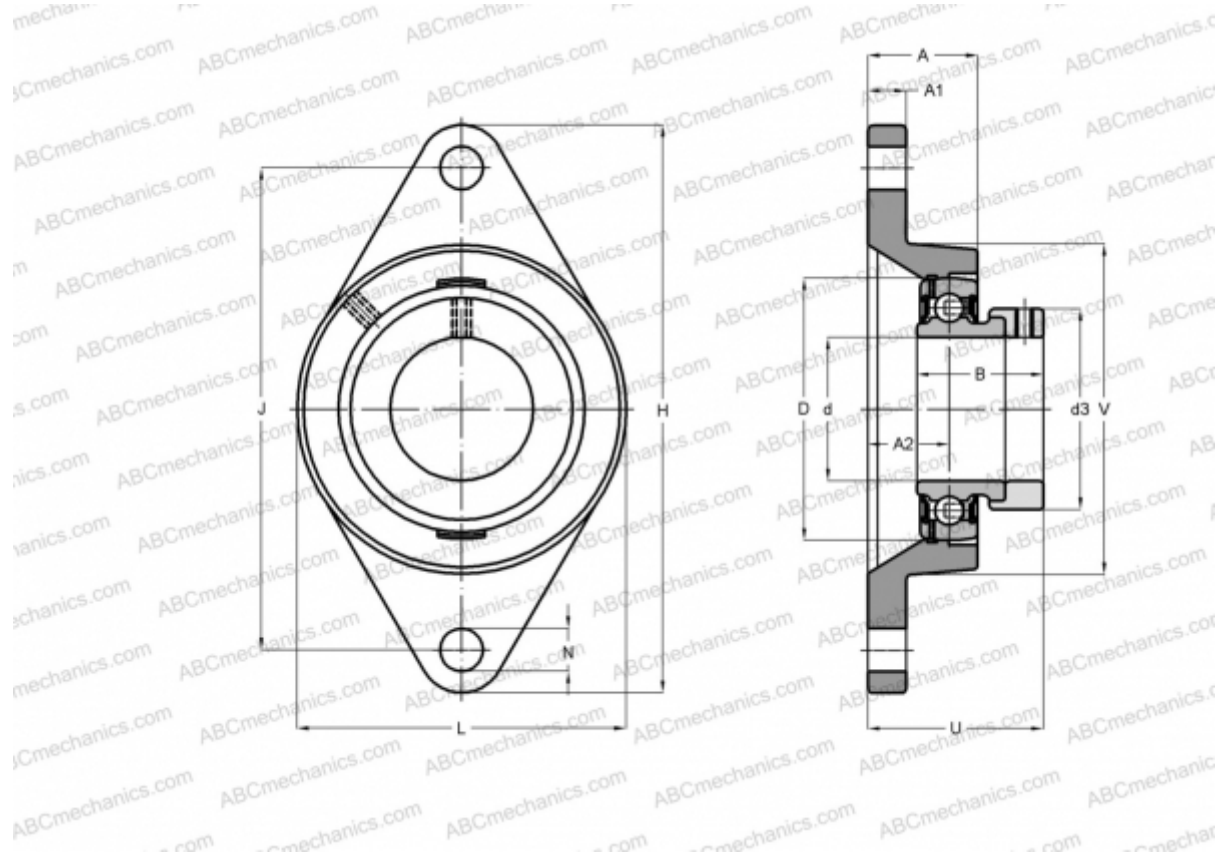


## ESFL204 SNR

Ball bearing units

TYPE: Housing units, Two-bolt flanged housing units, Cast iron housing, Radial insert ball bearing with eccentric locking collar, With inner ring extended at one side, wide base, massive bearing units



### Technical specification

#### DIMENSIONS, MM

d	20,000
D	47,000
B	30,900
L	60,000
H	113,000
A	25,500
J	90,000
A1	11,000
A2	15,000
N	12,000
S	7,500
d3	33,300
U	38,400
Q	M6x1

#### WEIGHT, KG

	0,400
Bearing	ES204
Housing	FL204

#### MANUFACTURER

[SNR](#)

#### INTERCHANGE

ABC	<a href="#">ESFL204</a>
-----	-------------------------

#### CALCULATION DATA

Basic dynamic load rating, C	12,800 kN
Basic static load rating, Co	6,650 kN
Operating temperature min	-20 °C
Operating temperature max	110 °C