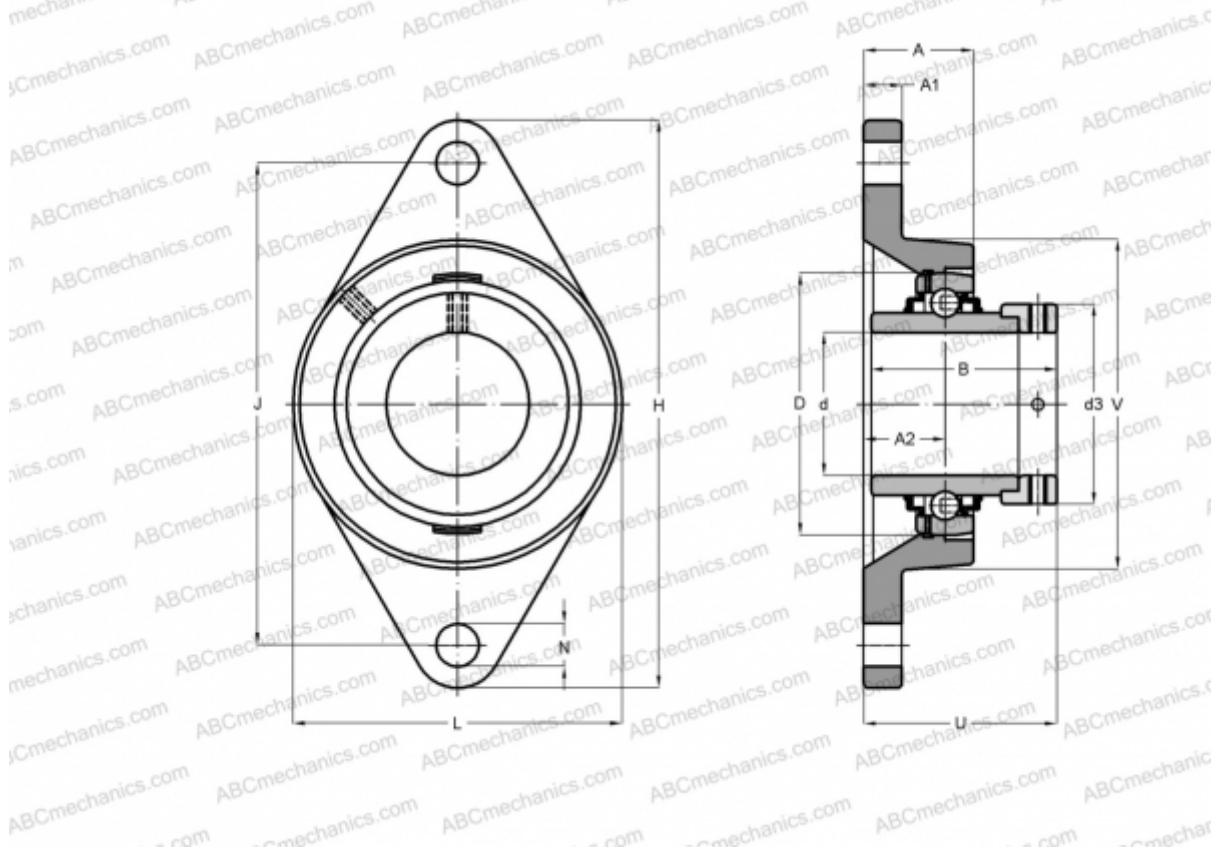


EXFL203 ABC

Ball bearing units

TYPE: Housing units, Two-bolt flanged housing units, Cast iron housing, Radial insert ball bearing with eccentric locking collar, With inner ring extended on both sides, massive bearing units



Technical specification

DIMENSIONS, MM

| | |
|----|---------|
| d | 17,000 |
| D | 47,000 |
| B | 43,500 |
| L | 60,000 |
| H | 113,000 |
| A | 25,500 |
| J | 90,000 |
| A1 | 11,000 |
| A2 | 15,000 |
| N | 12,000 |
| S | 17,000 |
| d3 | 33,300 |
| U | 41,500 |
| Q | M6x1 |

WEIGHT, KG

| | |
|---------|-------|
| | 0,500 |
| Bearing | EX203 |
| Housing | FL204 |

MANUFACTURER

[ABC](#)

INTERCHANGE

| | |
|-----|-------------------------|
| SNR | EXFL203 |
|-----|-------------------------|