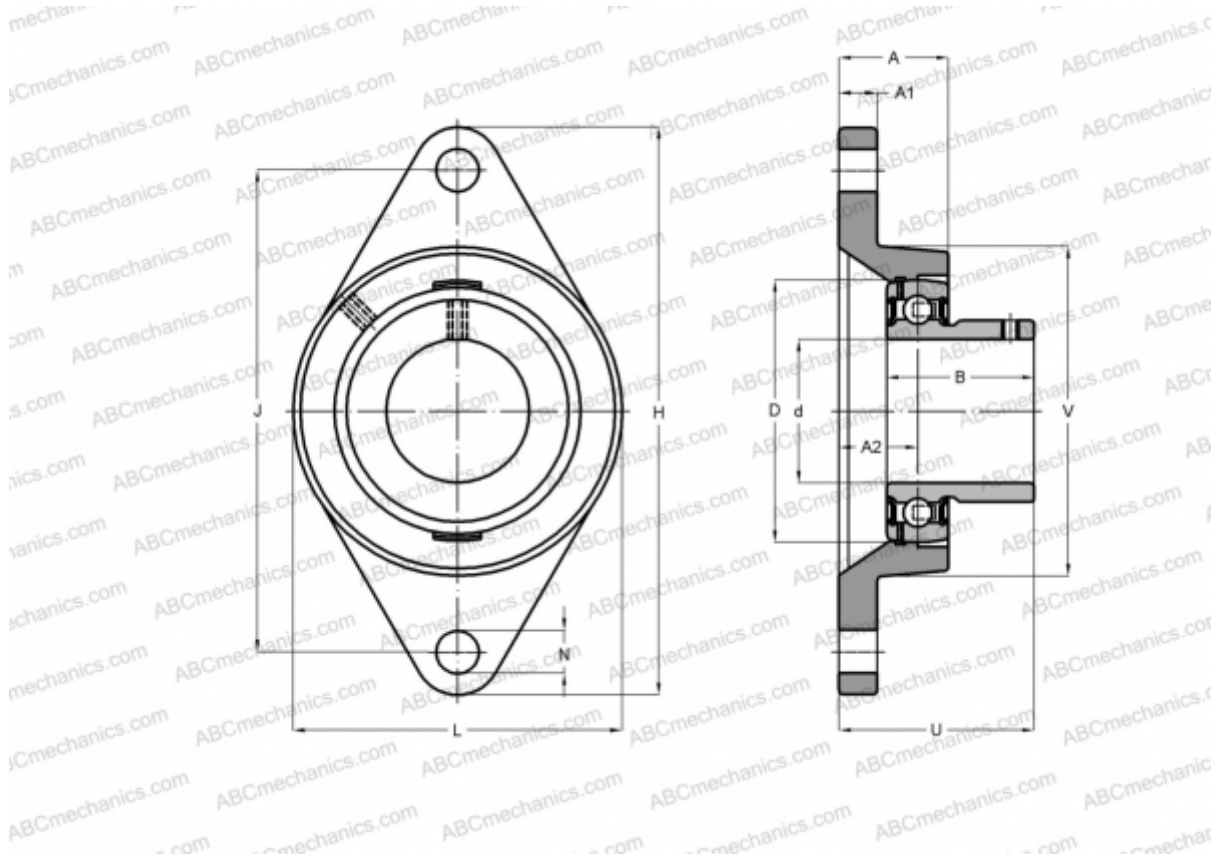


USFLE201 ABC

Ball bearing units

TYPE: Housing units, Two-bolt flanged housing units, Cast iron housing, Radial insert ball bearing with grub screws in inner ring, With inner ring extended at one side



Technical specification

DIMENSIONS, MM

d	12,000
D	40,000
B	22,000
L	57,000
H	99,000
A	26,000
J	76,500
A1	9,500
A2	17,000
N	11,500
S	6,000
U	33,000
Q	R1/8"

Bearing	US201
Housing	FLE203

MANUFACTURER

[ABC](#)

INTERCHANGE

INA	PCJTY12
SNR	USFLE201

WEIGHT, KG

0,400