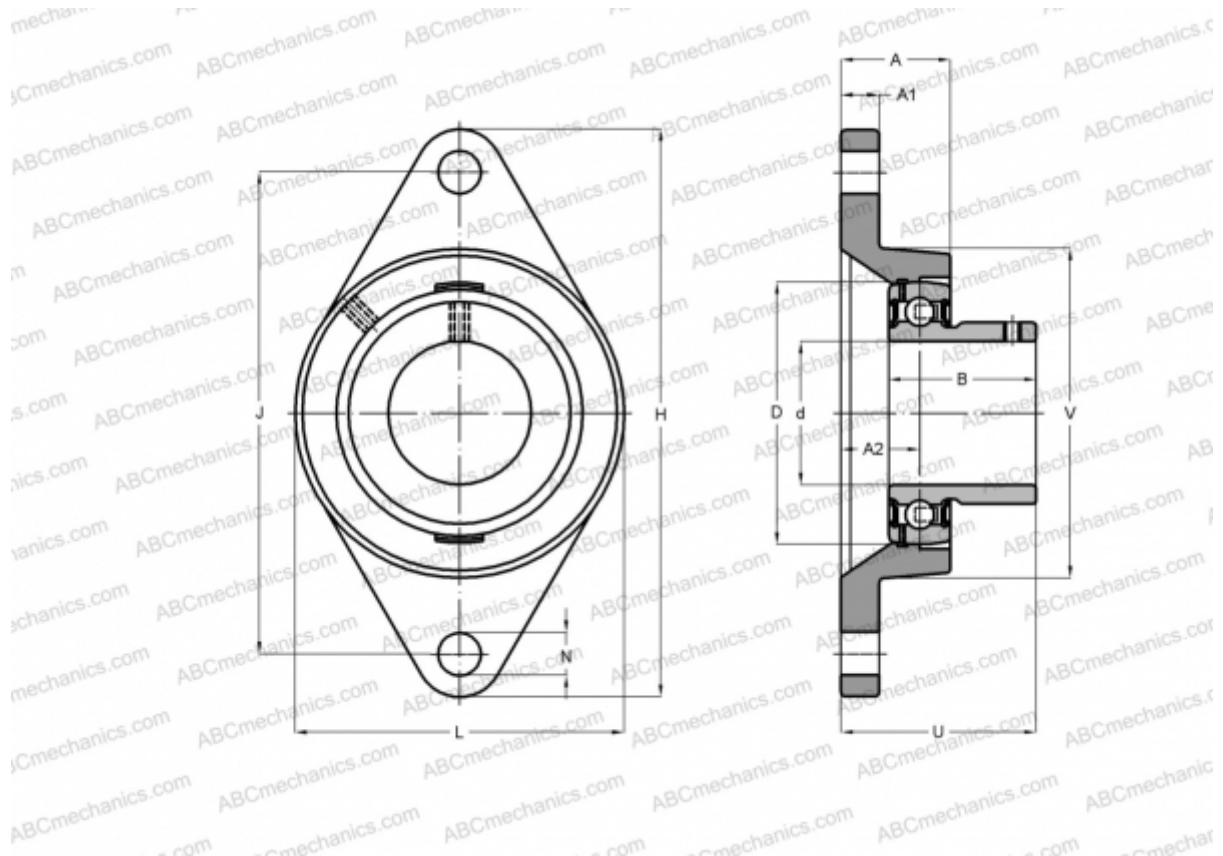


USFLE201 SNR

Ball bearing units

TYPE: Housing units, Two-bolt flanged housing units, Cast iron housing, Radial insert ball bearing with grub screws in inner ring, With inner ring extended at one side



Technical specification

DIMENSIONS, MM

d	12,000
D	40,000
B	22,000
L	57,000
H	99,000
A	26,000
J	76,500
A1	9,500
A2	17,000
N	11,500
S	6,000
U	33,000
Q	R1/8"

WEIGHT, KG 0,400

Bearing	US201
Housing	FLE203

MANUFACTURER

[SNR](#)

INTERCHANGE

ABC	USFLE201
INA	PCJTY12

CALCULATION DATA

Basic dynamic load rating, C	9,550 kN
Basic static load rating, Co	4,780 kN
Operating temperature min	-20 °C
Operating temperature max	110 °C