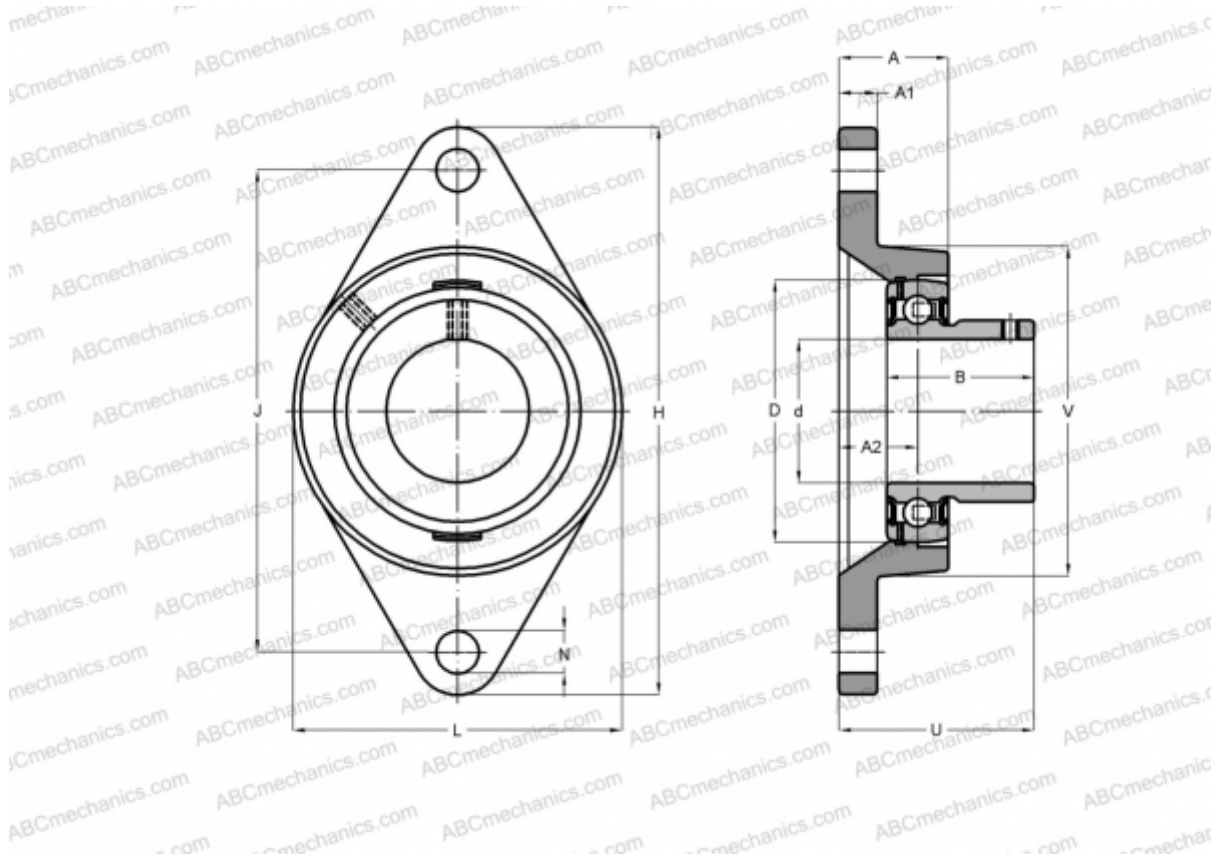


## USFLE202 ABC

Ball bearing units

TYPE: Housing units, Two-bolt flanged housing units, Cast iron housing, Radial insert ball bearing with grub screws in inner ring, With inner ring extended at one side



### Technical specification

#### DIMENSIONS, MM

d	15,000
D	40,000
B	22,000
L	57,000
H	99,000
A	26,000
J	76,500
A1	9,500
A2	17,000
N	11,500
S	6,000
U	33,000
Q	R1/8"

Bearing	US202
Housing	FLE203

#### MANUFACTURER

[ABC](#)

#### INTERCHANGE

INA	<a href="#">PCJTY15</a>
SNR	<a href="#">USFLE202</a>

#### WEIGHT, KG

0,400