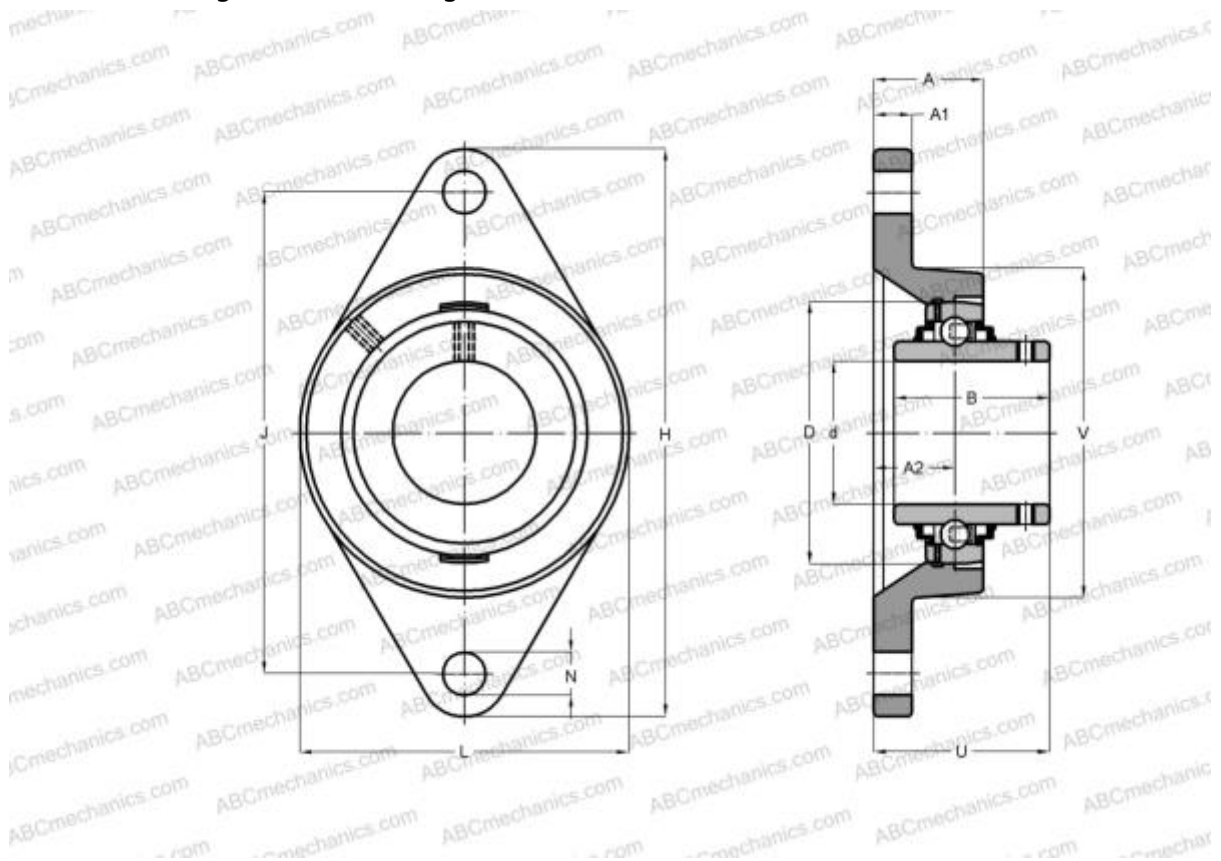


## RCJTY12 ABC

Ball bearing units

TYPE: Housing units, Two-bolt flanged housing units, Cast iron housing, Radial insert ball bearing with grub screws in inner ring, With inner ring extended on both sides



### Technical specification

#### DIMENSIONS, MM

d	12,000
D	40,000
B	27,400
L	57,000
H	99,000
A	25,000
J	76,500
A1	9,500
A2	17,000
N	11,500
U	32,900
V	57,000
Q	M6

Bearing	GYE12-KRR-B
Housing	GG.CJT03

#### MANUFACTURER

[ABC](#)

#### INTERCHANGE

SKF	<a href="#">FYTB 12 TF</a>
INA	<a href="#">RCJTY12</a>

#### WEIGHT, KG

0,360