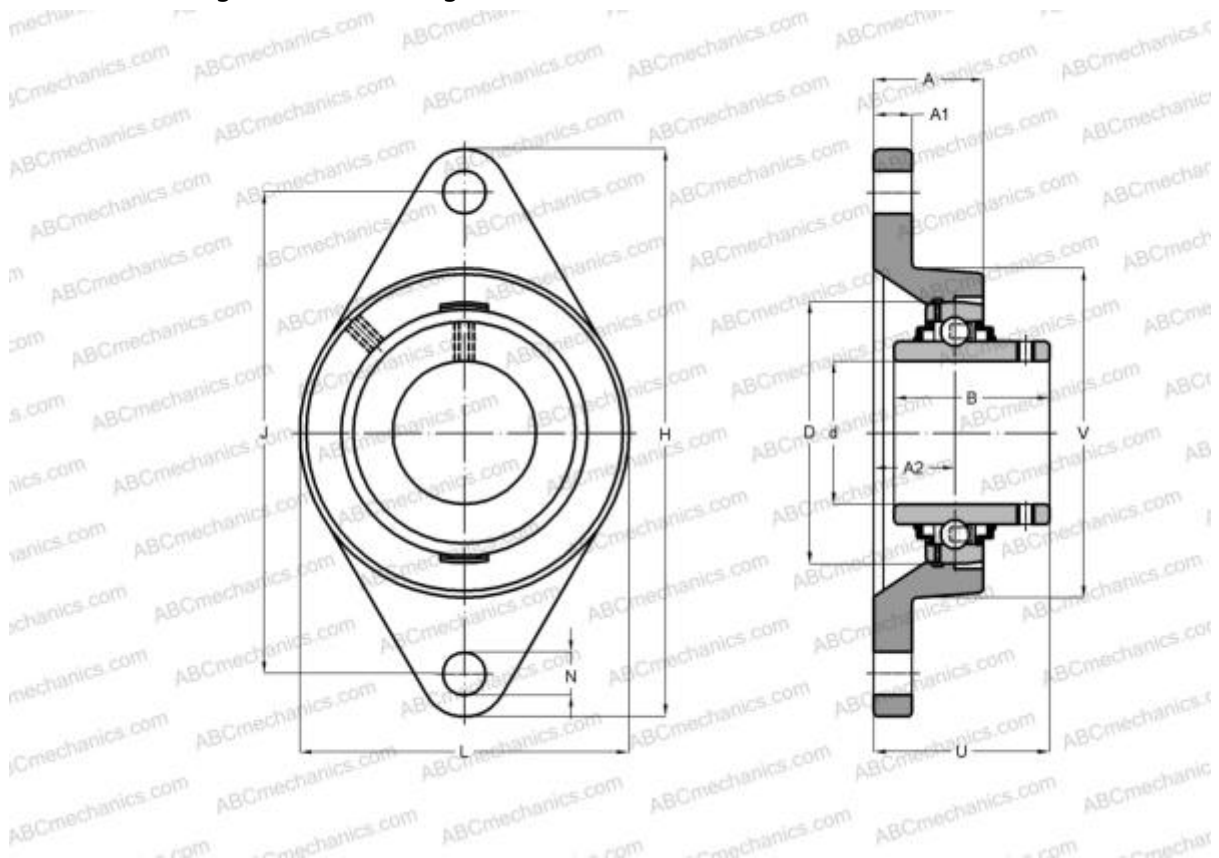


RCJTY12 INA

Ball bearing units

TYPE: Housing units, Two-bolt flanged housing units, Cast iron housing, Radial insert ball bearing with grub screws in inner ring, With inner ring extended on both sides



Technical specification

DIMENSIONS, MM

d	12,000
D	40,000
B	27,400
L	57,000
H	99,000
A	25,000
J	76,500
A1	9,500
A2	17,000
N	11,500
U	32,900
V	57,000
Q	M6

Bearing	GYE12-KRR-B
Housing	GG.CJT03

MANUFACTURER

[INA](#)

INTERCHANGE

ABC	RCJTY12
SKF	FYTB 12 TF

CALCULATION DATA

Basic dynamic load rating, C	9,800 kN
Basic static load rating, Co	4,750 kN

WEIGHT, KG 0,360