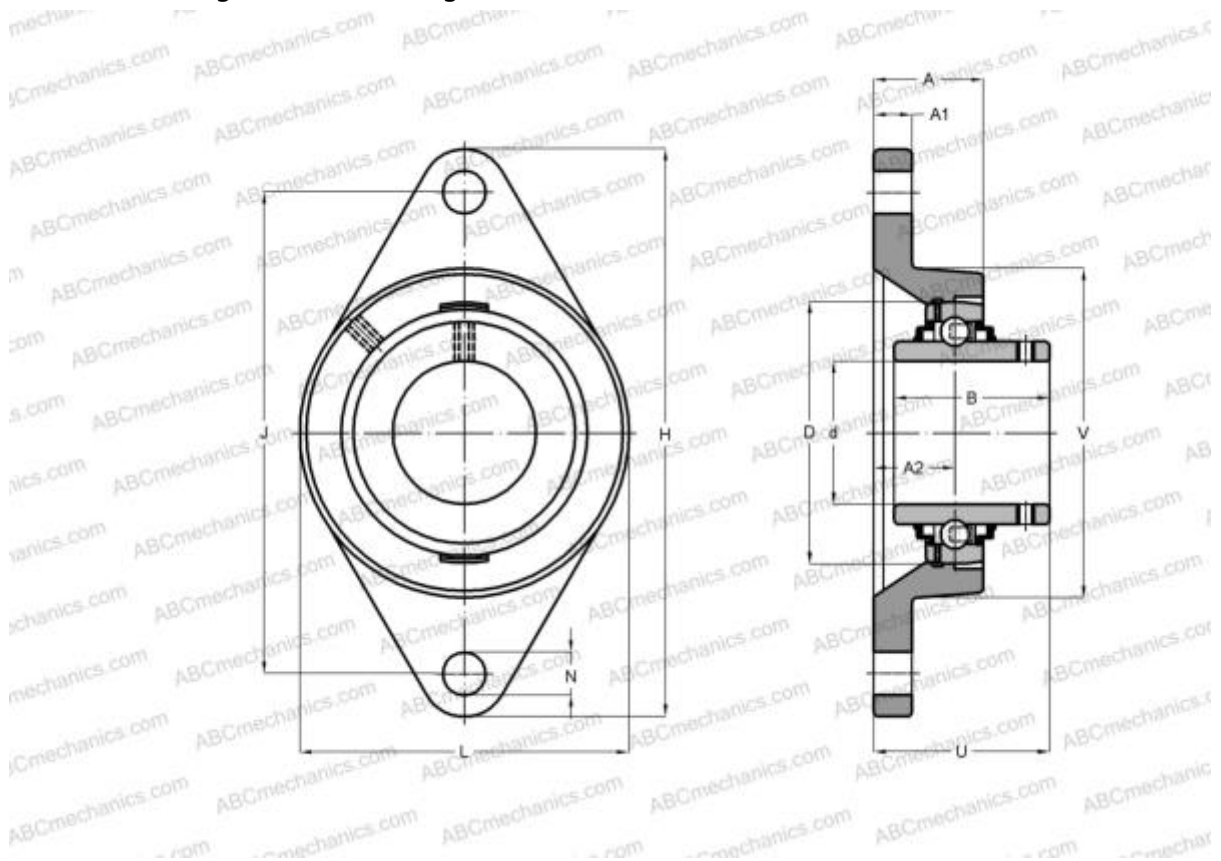


RCJTY15 ABC

Ball bearing units

TYPE: Housing units, Two-bolt flanged housing units, Cast iron housing, Radial insert ball bearing with grub screws in inner ring, With inner ring extended on both sides



Technical specification

DIMENSIONS, MM

d	15,000
D	40,000
B	27,400
L	57,000
H	99,000
A	25,000
J	76,500
A1	9,500
A2	17,000
N	11,500
U	32,900
V	57,000
Q	M6

WEIGHT, KG 0,350

Bearing	GYE15-KRR-B
Housing	GG.CFT03

MANUFACTURER

[ABC](#)

INTERCHANGE

SKF	FYTB 15 TF
INA	RCJTY15