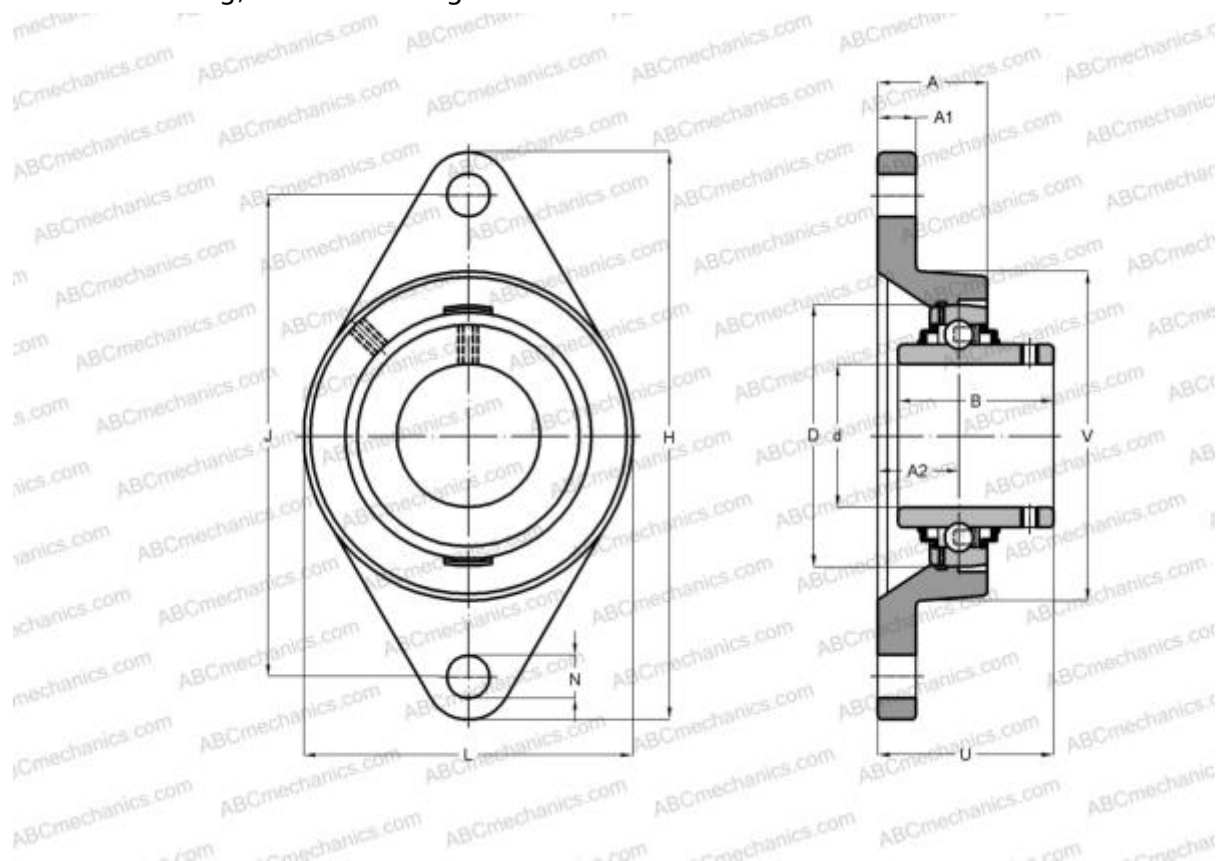


FYTB 15 TF SKF

Ball bearing units

TYPE: Housing units, Two-bolt flanged housing units, Cast iron housing, Radial insert ball bearing with grub screws in inner ring, With inner ring extended on both sides



Technical specification

DIMENSIONS, MM

d	15,000
D	40,000
B	27,400
L	57,000
H	98,500
A	26,000
J	76,500
A1	11,000
A2	17,000
N	11,500
U	32,900
V	50,800

WEIGHT, KG 0,400

Bearing	YAR 203/15-2F
Housing	FYTB 503 M

MANUFACTURER

[SKF](#)

INTERCHANGE

ABC	RCJTY15
INA	RCJTY15

CALCULATION DATA

Basic dynamic load rating, C	9,560 kN
Basic static load rating, Co	4,750 kN
Fatigue load limit, Pu	0,200 kN
Limiting speed	9500 r/min