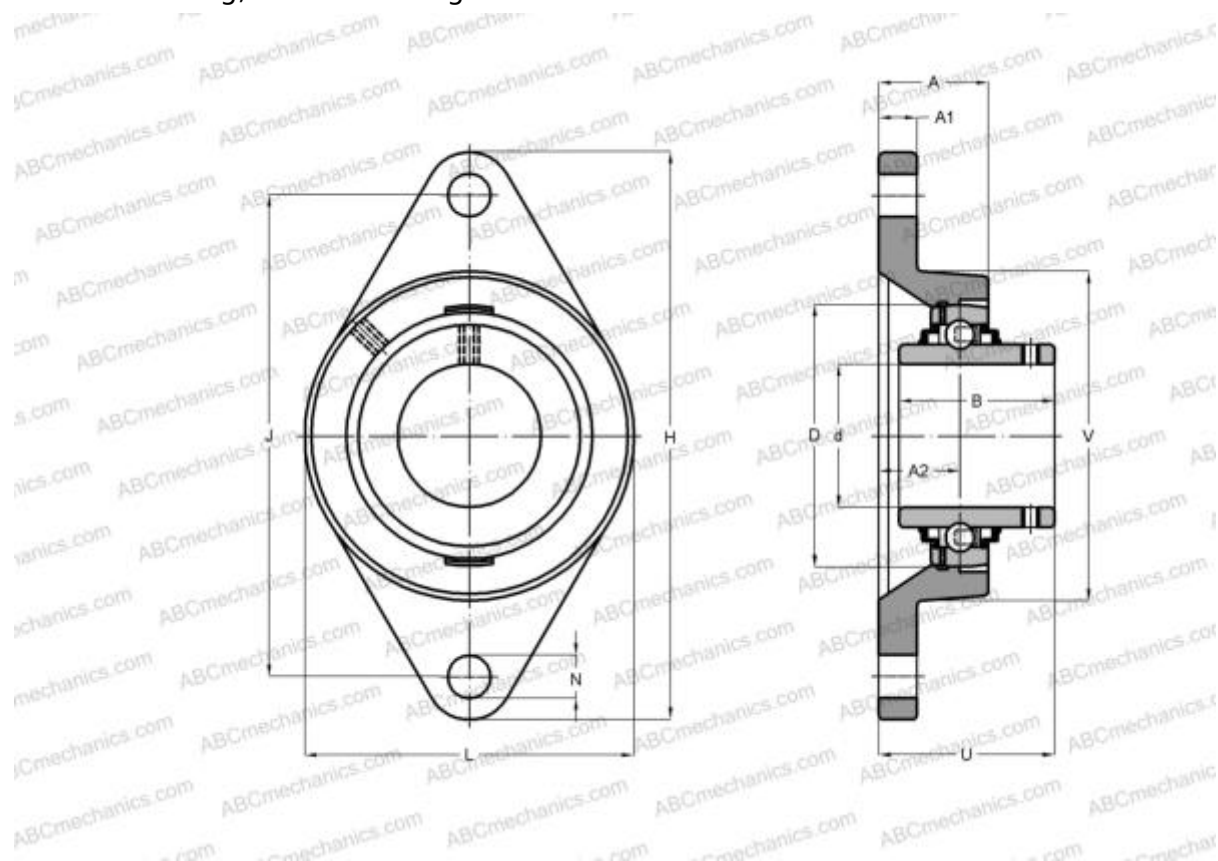


## RCJTY15 INA

Ball bearing units

TYPE: Housing units, Two-bolt flanged housing units, Cast iron housing, Radial insert ball bearing with grub screws in inner ring, With inner ring extended on both sides



### Technical specification

#### DIMENSIONS, MM

d	15,000
D	40,000
B	27,400
L	57,000
H	99,000
A	25,000
J	76,500
A1	9,500
A2	17,000
N	11,500
U	32,900
V	57,000
Q	M6

Bearing	GYE15-KRR-B
Housing	GG.CFT03

#### MANUFACTURER

[INA](#)

#### INTERCHANGE

ABC	<a href="#">RCJTY15</a>
SKF	<a href="#">FYTB 15 TF</a>

#### CALCULATION DATA

Basic dynamic load rating, C	9,800 kN
Basic static load rating, Co	4,750 kN

**WEIGHT, KG** 0,350