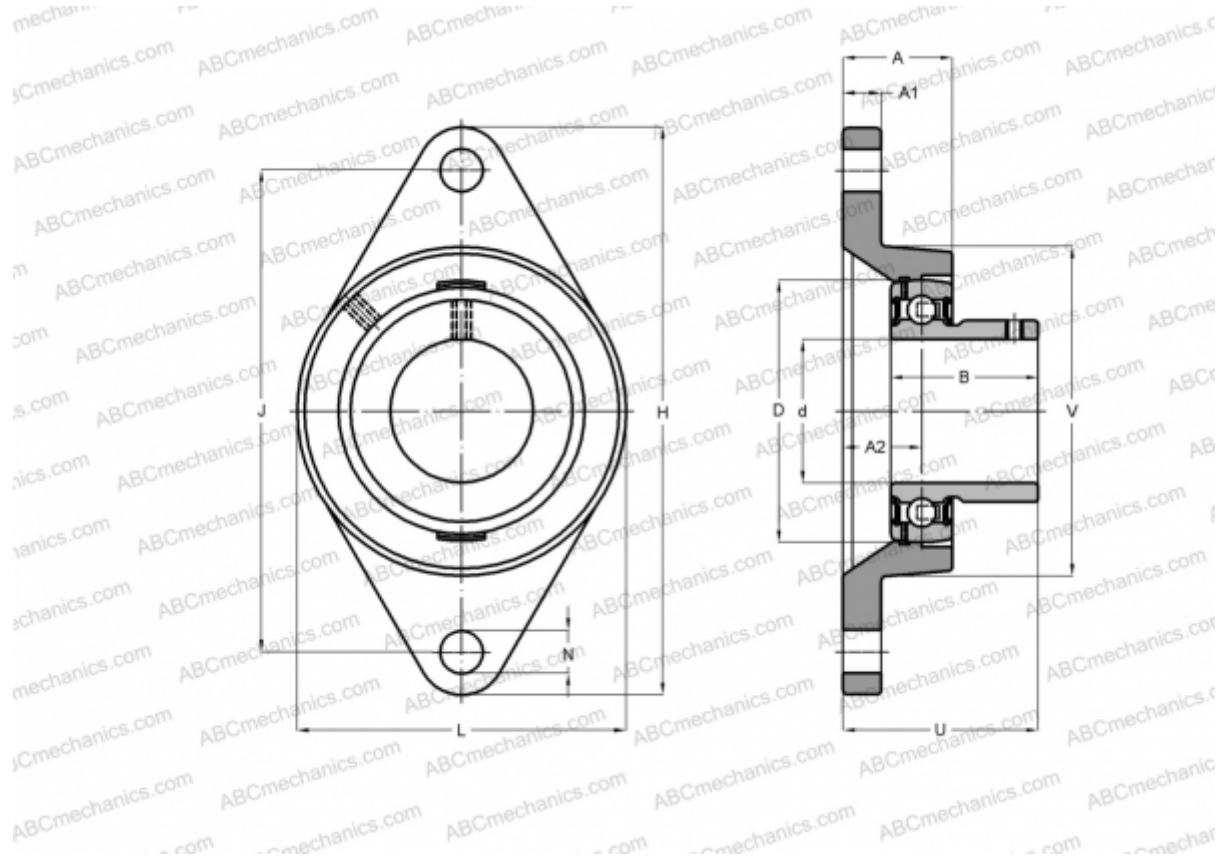


USFL201 ABC

Ball bearing units

TYPE: Housing units, Two-bolt flanged housing units, Cast iron housing, Radial insert ball bearing with grub screws in inner ring, With inner ring extended at one side, wide base, massive bearing units



Technical specification

DIMENSIONS, MM

d	12,000
D	40,000
B	22,000
L	57,000
H	99,000
A	25,500
J	76,500
A1	11,000
A2	15,000
N	12,000
S	6,000
U	31,000
Q	M6x1

WEIGHT, KG 0,400

Bearing	US201
Housing	FL203

MANUFACTURER

[ABC](#)

INTERCHANGE

SNR	USFL201
-----	-------------------------