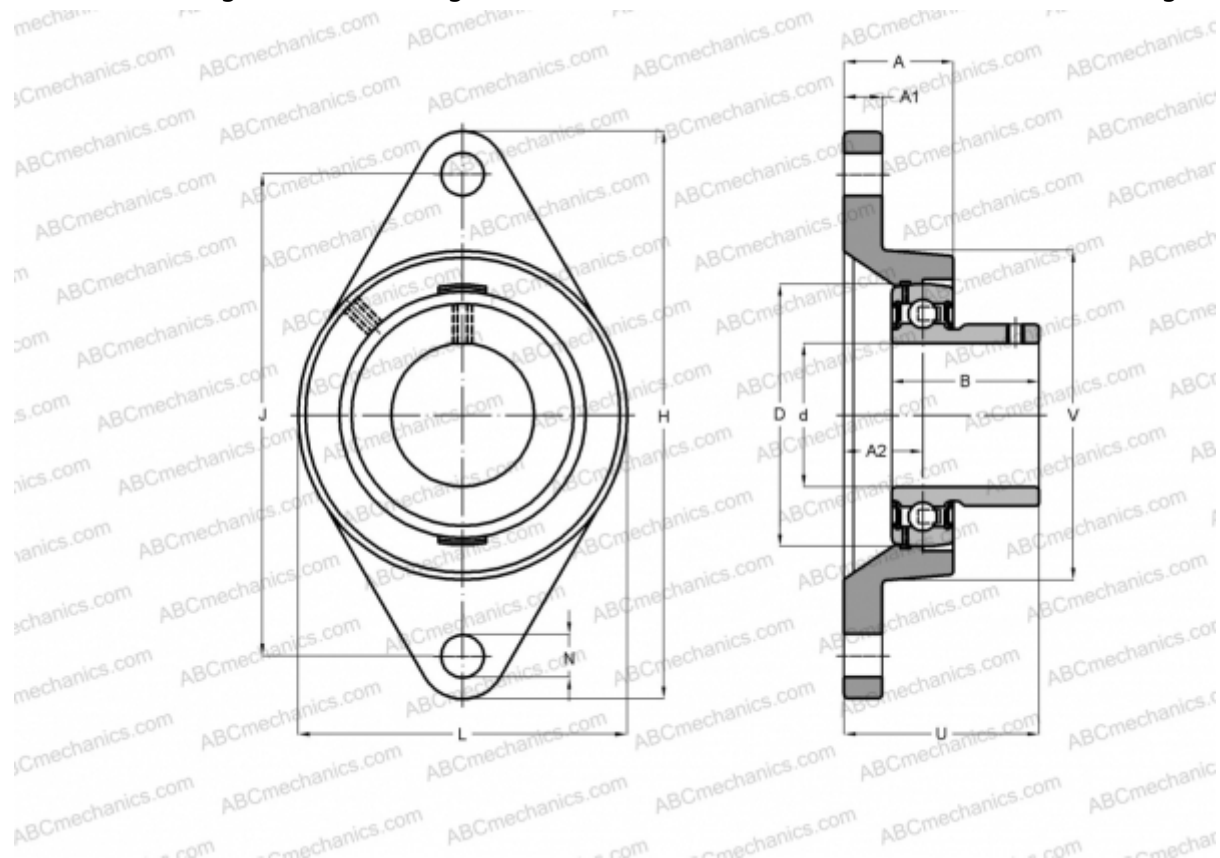


BFL 204 ASAHI

Ball bearing units

TYPE: Housing units, Two-bolt flanged housing units, Cast iron housing, Radial insert ball bearing with grub screws in inner ring, With inner ring extended at one side, wide base, massive bearing units



Technical specification

DIMENSIONS, MM

d	20,000
D	47,000
B	25,000
L	60,000
H	113,000
A	25,500
J	90,000
A1	11,000
A2	15,000
N	12,000
S	7,000
U	33,000
Q	M6x1

Bearing	US204
Housing	FL204

MANUFACTURER [ASAHI](#)

INTERCHANGE

ABC	USFL204
SNR	USFL204

WEIGHT, KG 0,400