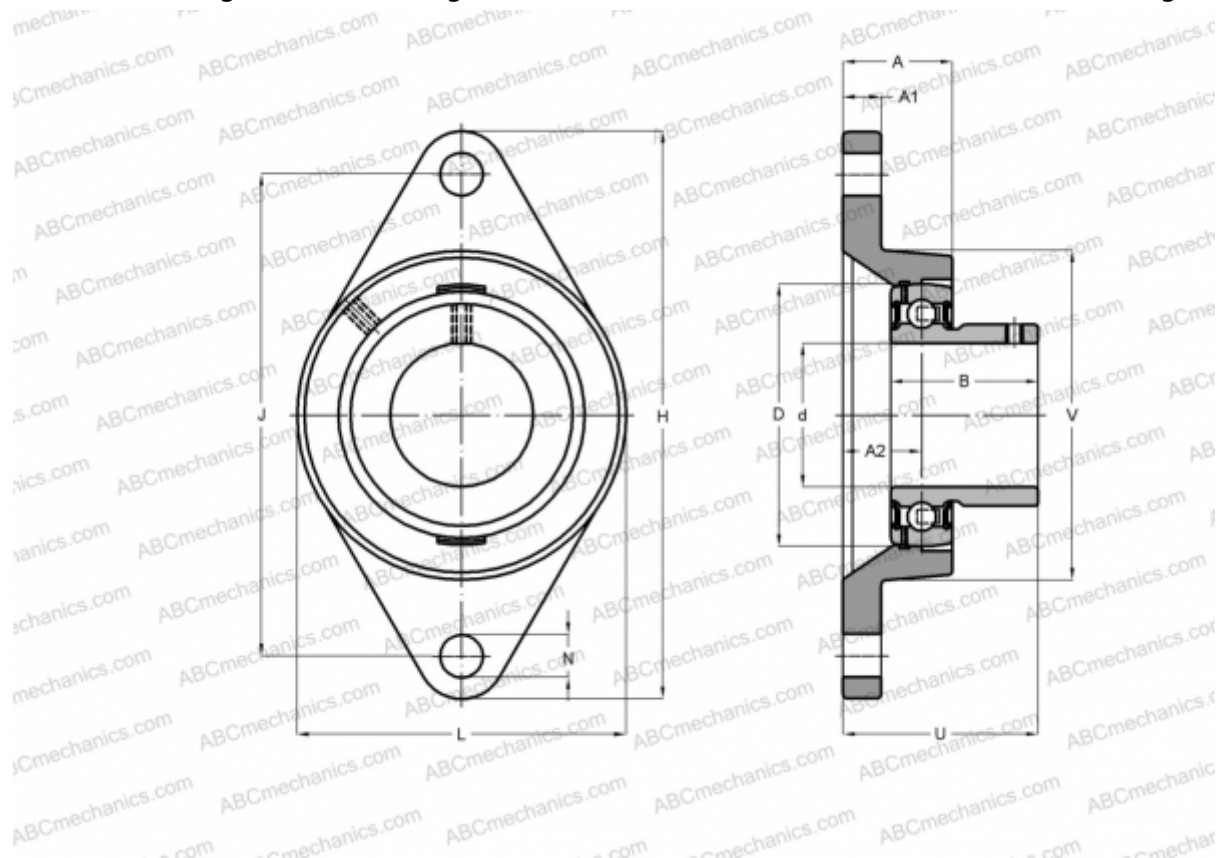


USFL204 SNR

Ball bearing units

TYPE: Housing units, Two-bolt flanged housing units, Cast iron housing, Radial insert ball bearing with grub screws in inner ring, With inner ring extended at one side, wide base, massive bearing units



Technical specification

DIMENSIONS, MM

d	20,000
D	47,000
B	25,000
L	60,000
H	113,000
A	25,500
J	90,000
A1	11,000
A2	15,000
N	12,000
S	7,000
U	33,000
Q	M6x1

WEIGHT, KG 0,400

Bearing	US204
Housing	FL204

MANUFACTURER

[SNR](#)

INTERCHANGE

ABC	USFL204
ASAHI	BFL 204

CALCULATION DATA

Basic dynamic load rating, C	12,800 kN
Basic static load rating, Co	6,650 kN
Operating temperature min	-20 °C
Operating temperature max	110 °C