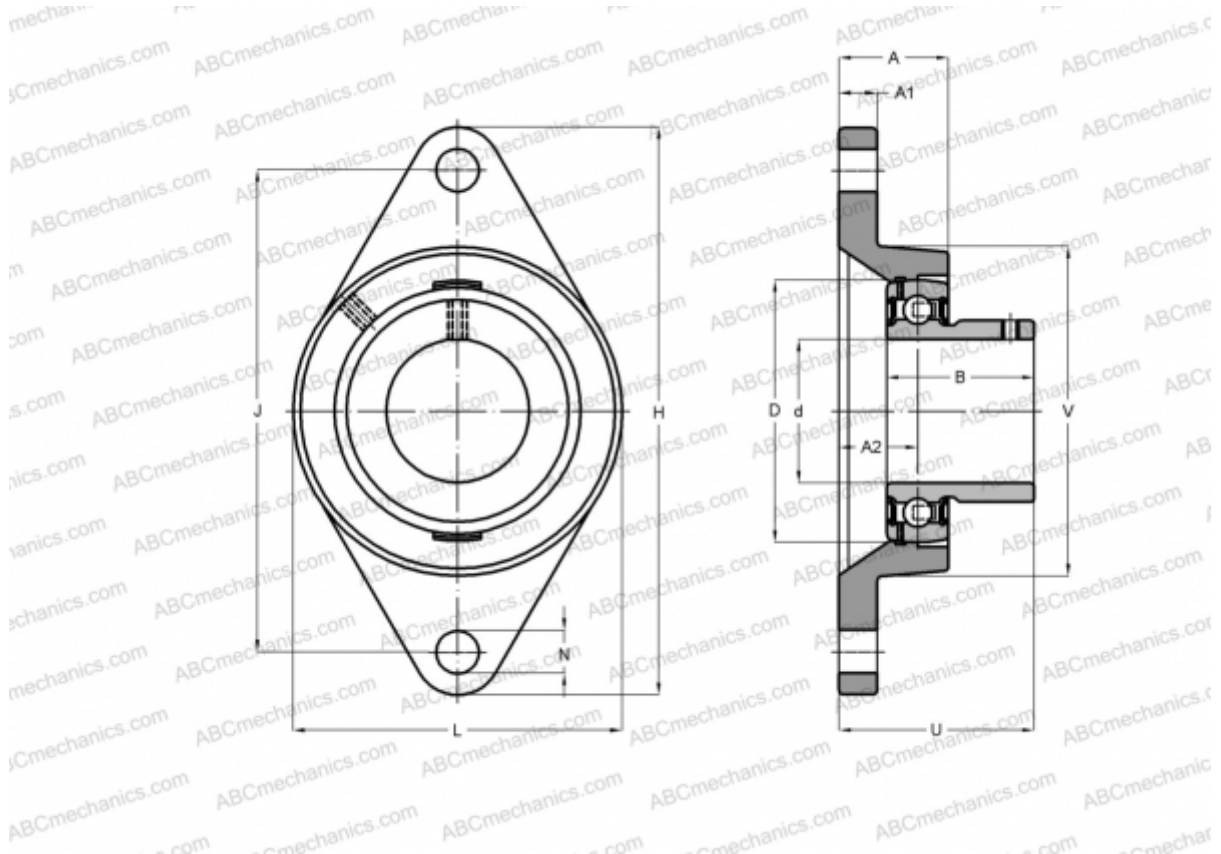


## BFL 205 ASAHI

Ball bearing units

TYPE: Housing units, Two-bolt flanged housing units, Cast iron housing, Radial insert ball bearing with grub screws in inner ring, With inner ring extended at one side, wide base, massive bearing units



### Technical specification

#### DIMENSIONS, MM

d	25,000
D	52,000
B	27,000
L	68,000
H	130,000
A	27,000
J	99,000
A1	13,000
A2	16,000
N	16,000
S	7,500
U	35,500
Q	M6x1

Bearing	US205
Housing	FL205

#### MANUFACTURER

[ASAHI](#)

#### INTERCHANGE

ABC	<a href="#">USFL205</a>
SNR	<a href="#">USFL205</a>

#### WEIGHT, KG

0,600