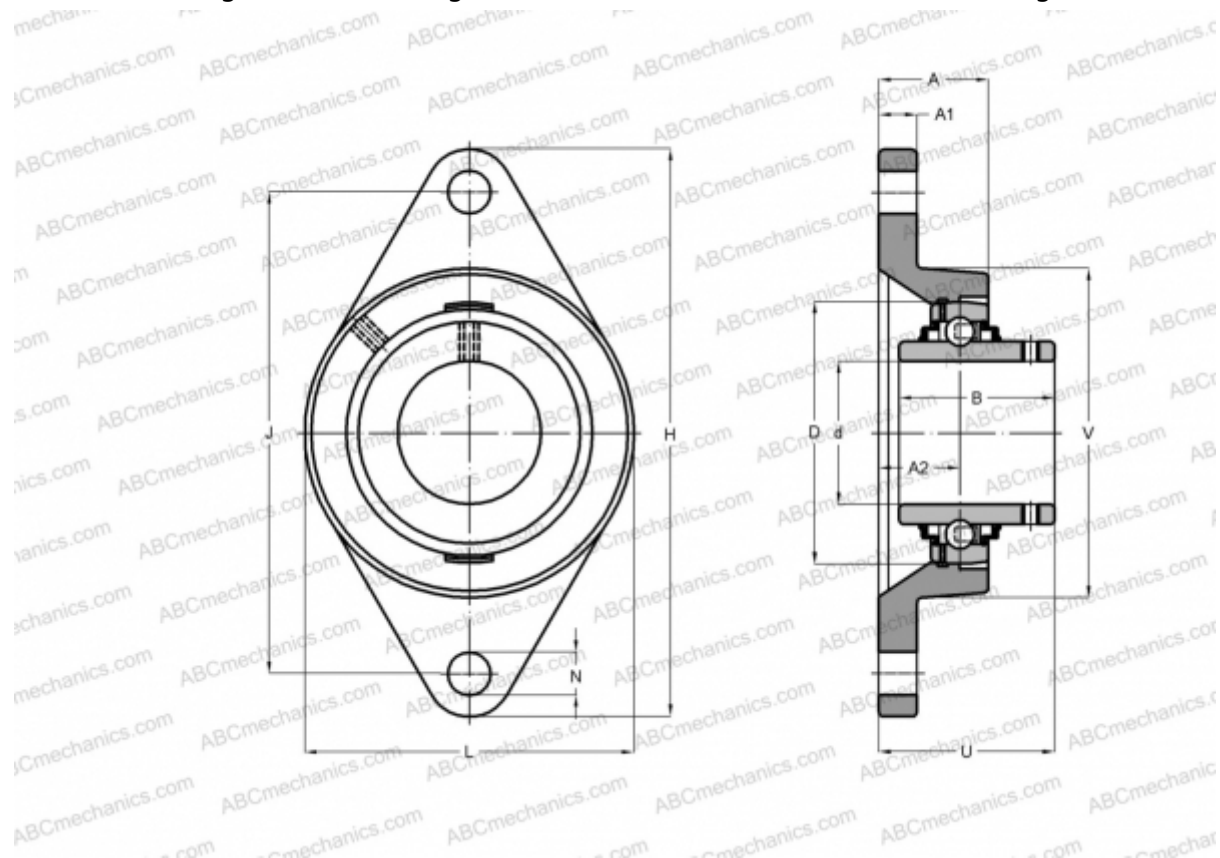


## UCFL201 ABC

Ball bearing units

TYPE: Housing units, Two-bolt flanged housing units, Cast iron housing, Radial insert ball bearing with grub screws in inner ring, With inner ring extended on both sides, massive bearing units



### Technical specification

#### DIMENSIONS, MM

d	12,000
D	47,000
B	31,000
L	60,000
H	113,000
A	25,500
J	90,000
A1	11,000
A2	15,000
N	12,000
S	12,700
U	33,300
Q	M6x1

Bearing	UC201
Housing	FL204

#### MANUFACTURER

[ABC](#)

#### INTERCHANGE

ASAHI	<a href="#">UCFL 201</a>
SNR	<a href="#">UCFL201</a>
SLB	<a href="#">UCFL 201</a>
FYH	<a href="#">UCFL 201</a>
NTN	<a href="#">UCFL 201 D1</a>

**WEIGHT, KG** 0,500