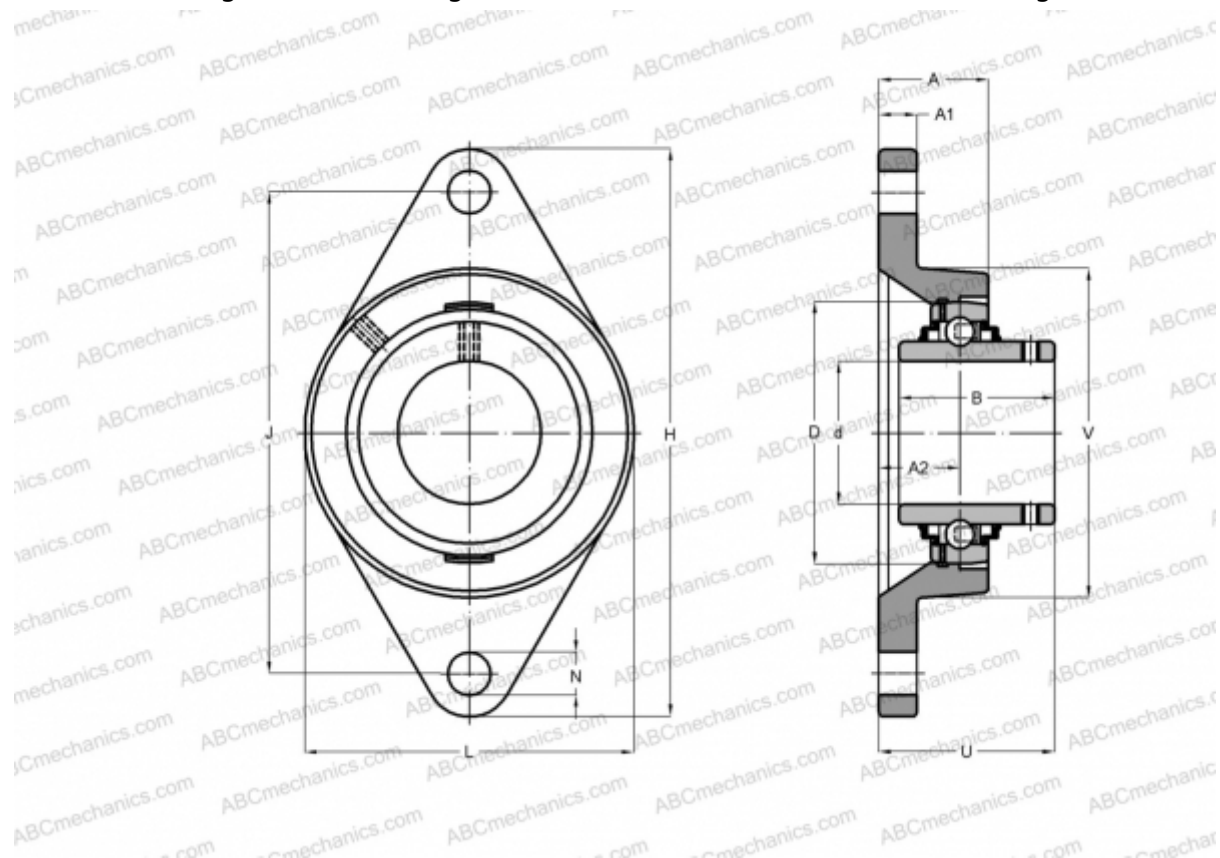


## UCFL 201 ASAHI

Ball bearing units

TYPE: Housing units, Two-bolt flanged housing units, Cast iron housing, Radial insert ball bearing with grub screws in inner ring, With inner ring extended on both sides, massive bearing units



### Technical specification

#### DIMENSIONS, MM

|    |         |
|----|---------|
| d  | 12,000  |
| D  | 47,000  |
| B  | 31,000  |
| L  | 60,000  |
| H  | 113,000 |
| A  | 25,500  |
| J  | 90,000  |
| A1 | 12,000  |
| A2 | 12,700  |
| N  | 12,000  |
| U  | 33,300  |

**WEIGHT, KG** 0,500

Bearing UC 201

Housing FL 204

**MANUFACTURER** [ASAHI](#)

#### INTERCHANGE

|     |                             |
|-----|-----------------------------|
| ABC | <a href="#">UCFL201</a>     |
| SNR | <a href="#">UCFL201</a>     |
| SLB | <a href="#">UCFL 201</a>    |
| FYH | <a href="#">UCFL 201</a>    |
| NTN | <a href="#">UCFL 201 D1</a> |