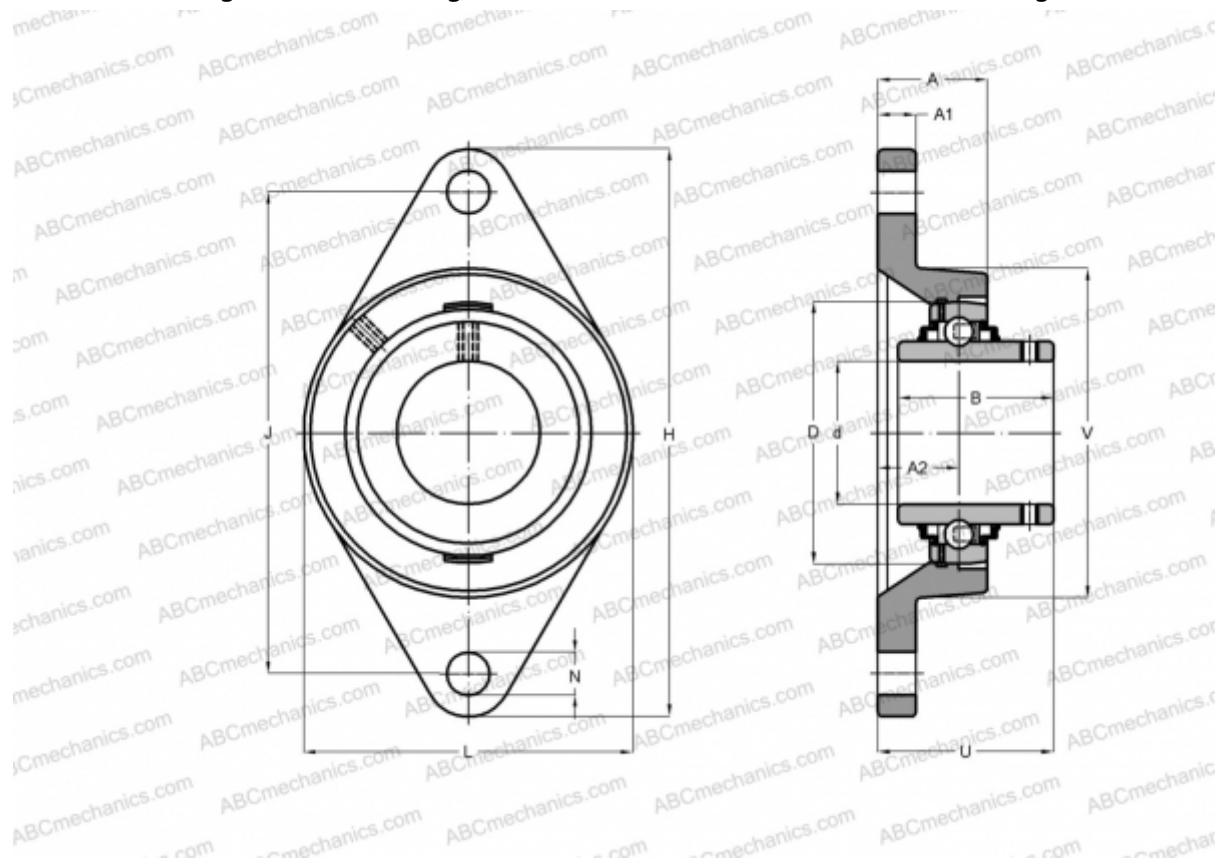


## UCFL 202 ASAHI

Ball bearing units

TYPE: Housing units, Two-bolt flanged housing units, Cast iron housing, Radial insert ball bearing with grub screws in inner ring, With inner ring extended on both sides, massive bearing units



### Technical specification

#### DIMENSIONS, MM

d	15,000
D	47,000
B	31,000
L	60,000
H	113,000
A	25,500
J	90,000
A1	12,000
A2	12,700
N	12,000
U	33,300

**WEIGHT, KG** 0,480

Bearing UC 202

Housing FL 204

**MANUFACTURER** [ASAHI](#)

#### INTERCHANGE

ABC	<a href="#">UCFL202</a>
SNR	<a href="#">UCFL202</a>
SLB	<a href="#">UCFL 202</a>
FYH	<a href="#">UCFL 202</a>
NTN	<a href="#">UCFL 202 D1</a>