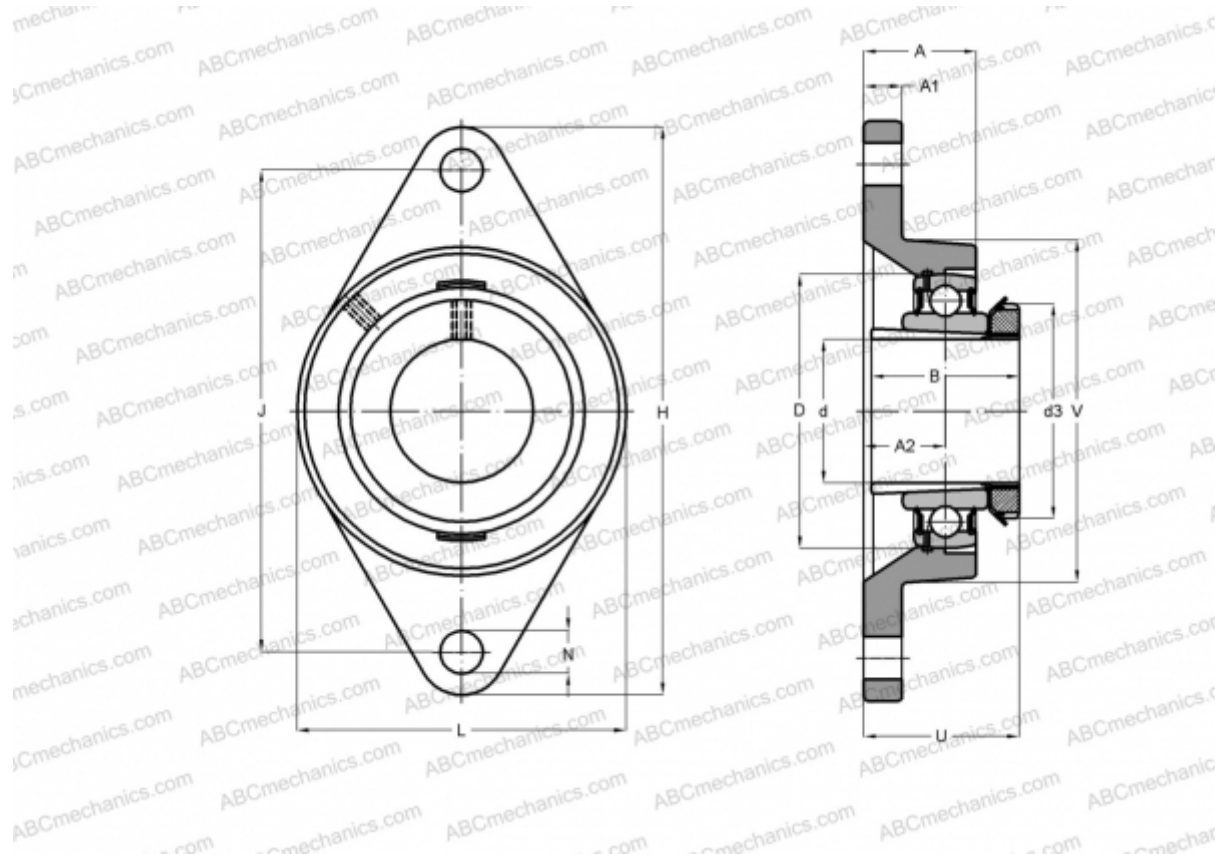


## UKFLE205H SNR

Ball bearing units

TYPE: Housing units, Two-bolt flanged housing units, Cast iron housing, Radial insert ball bearing with adapter sleeve, With inner ring extended on both sides



### Technical specification

#### DIMENSIONS, MM

d	20,000
D	52,000
B	35,000
L	70,000
H	124,000
A	29,300
J	99,000
A1	11,000
A2	19,000
N	11,500
d3	38,000
U	37,500
Q	R1/8"

Bearing	UK205 +
Housing	FLE205
Adapter sleeve	H2305

#### MANUFACTURER

[SNR](#)

#### INTERCHANGE

ABC	<a href="#">UKFLE205H</a>
SKF	<a href="#">FYJT 25 KF</a>

#### CALCULATION DATA

Basic dynamic load rating, C	14,000 kN
Basic static load rating, Co	7,880 kN
Operating temperature min	-20 °C
Operating temperature max	110 °C

#### WEIGHT, KG

0,600