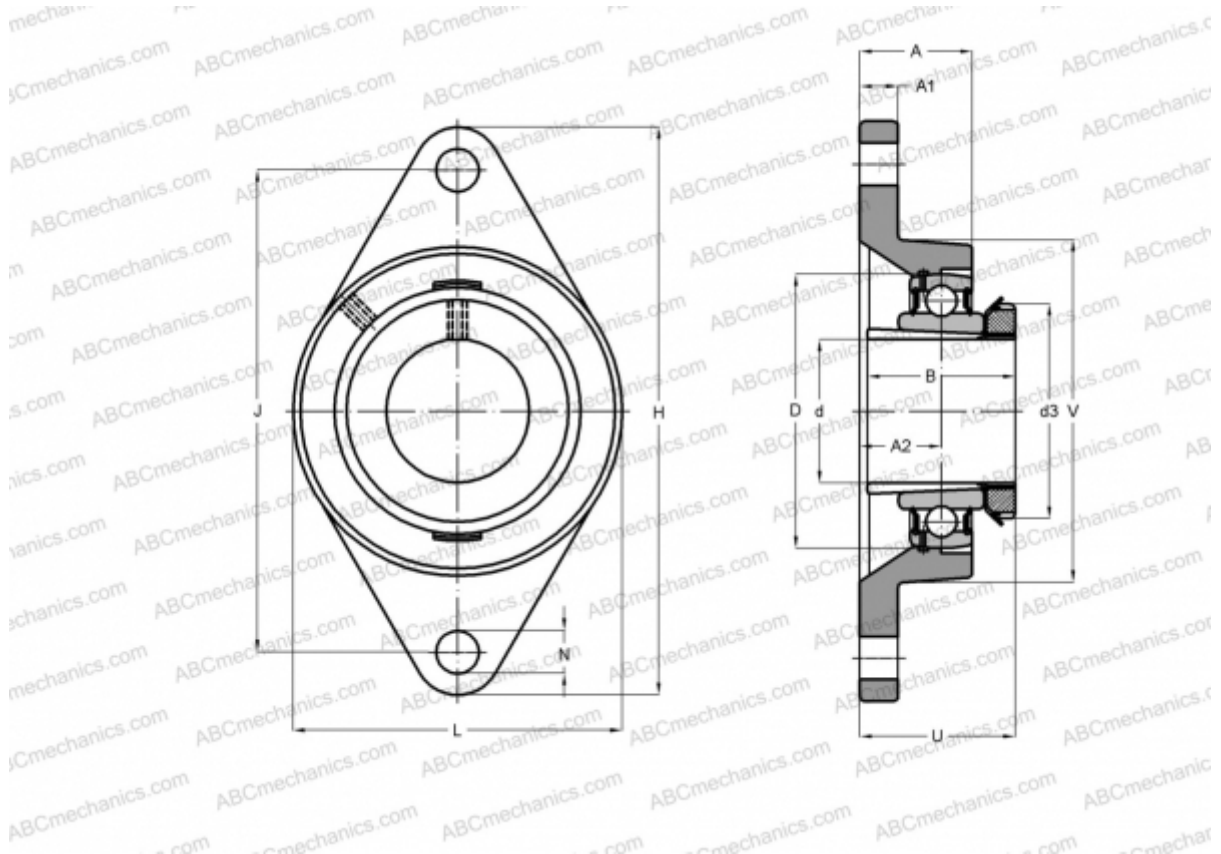


## UKFLE206H ABC

Ball bearing units

TYPE: Housing units, Two-bolt flanged housing units, Cast iron housing, Radial insert ball bearing with adapter sleeve, With inner ring extended on both sides



### Technical specification

#### DIMENSIONS, MM

d	25,000
D	62,000
B	38,000
L	80,000
H	142,000
A	32,100
J	116,500
A1	12,000
A2	20,000
N	11,500
d3	45,000
U	40,500
Q	R1/8"

Bearing	UK206 +
Housing	FLE206
Adapter sleeve	H2306

#### MANUFACTURER

[ABC](#)

#### INTERCHANGE

SKF	<a href="#">FYTJ 30 KF</a>
SNR	<a href="#">UKFLE206H</a>

#### WEIGHT, KG

0,900