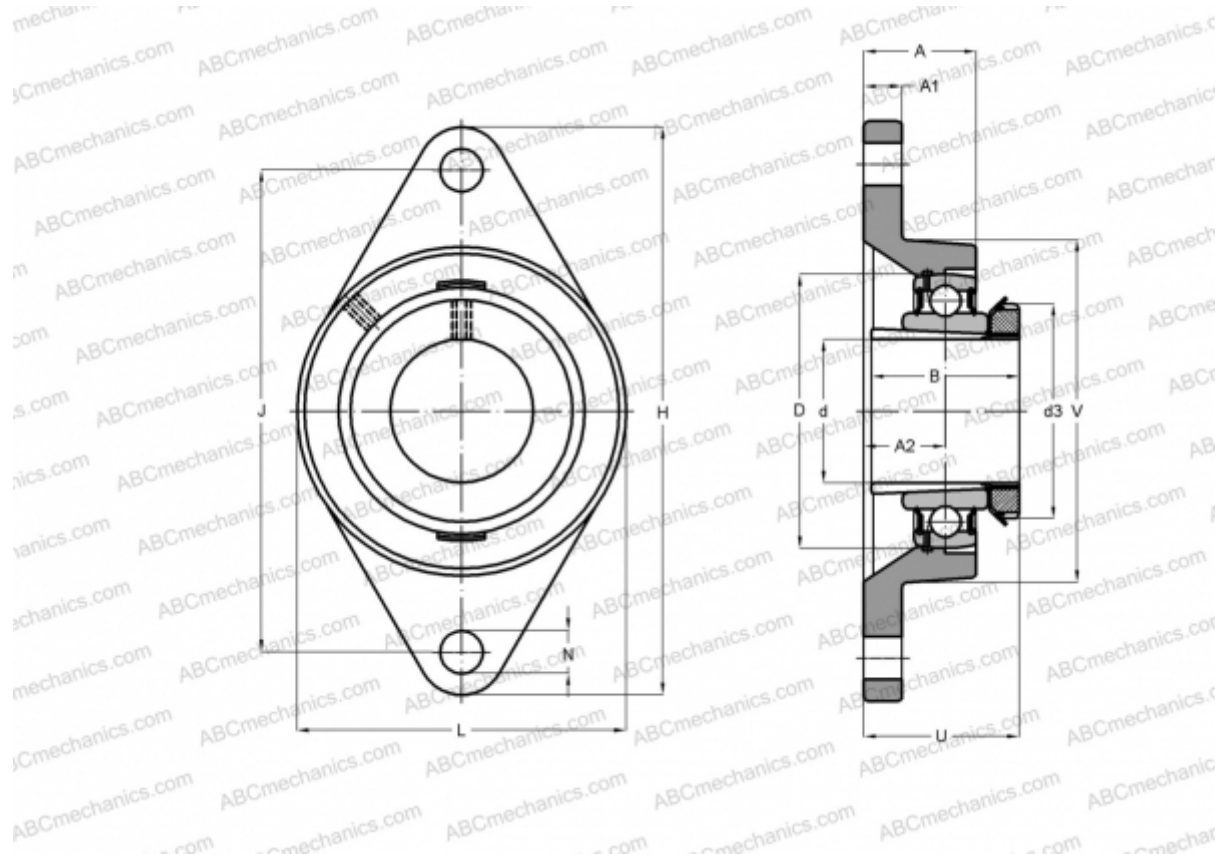


UKFLE207H SNR

Ball bearing units

TYPE: Housing units, Two-bolt flanged housing units, Cast iron housing, Radial insert ball bearing with adapter sleeve, With inner ring extended on both sides



Technical specification

DIMENSIONS, MM

d	30,000
D	72,000
B	43,000
L	92,000
H	155,000
A	33,700
J	130,000
A1	12,500
A2	21,000
N	14,000
d3	52,000
U	43,500
Q	R1/8"

Bearing	UK207 +
Housing	FLE207
Adapter sleeve	H2307

MANUFACTURER

[SNR](#)

INTERCHANGE

ABC	UKFLE207H
SKF	FYTJ 35 KF

CALCULATION DATA

Basic dynamic load rating, C	25,700 kN
Basic static load rating, Co	15,200 kN
Operating temperature min	-20 °C
Operating temperature max	110 °C

WEIGHT, KG 1,200