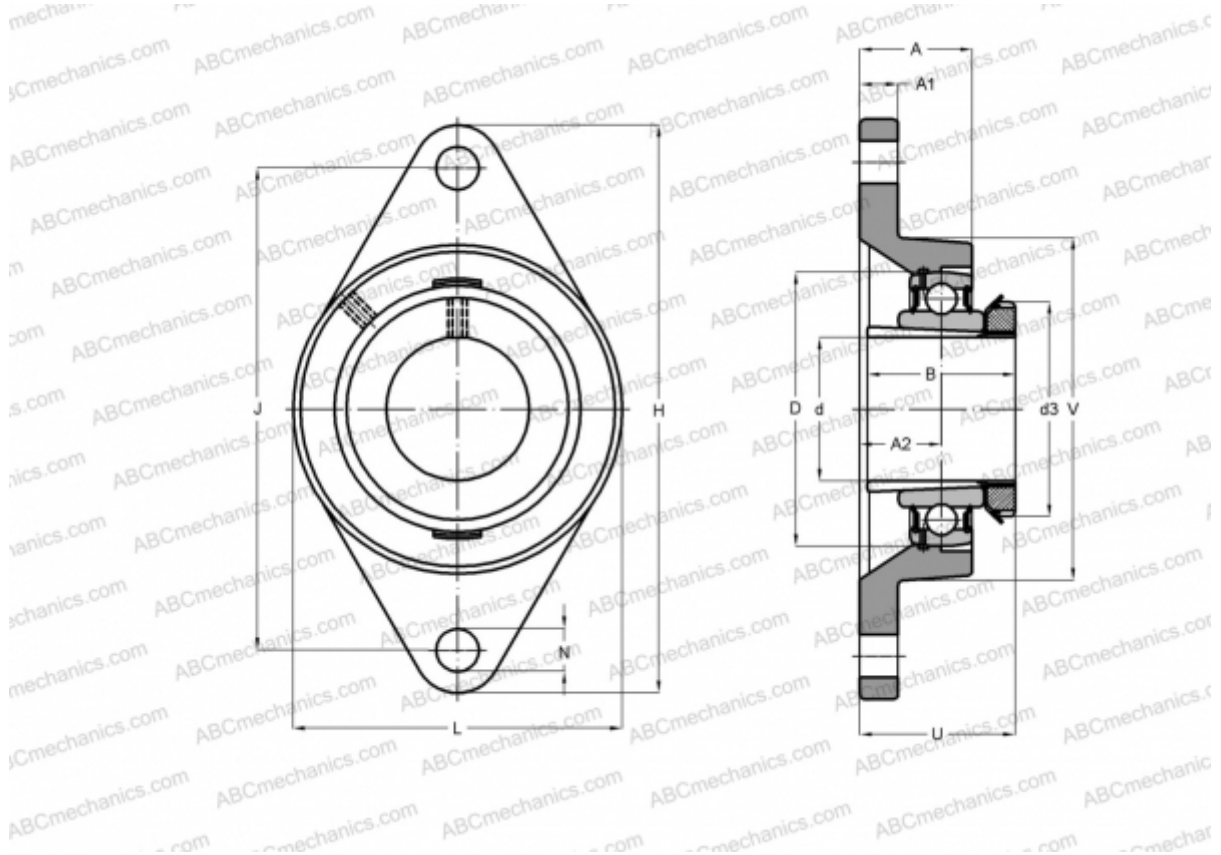


UKFLE208H ABC

Ball bearing units

TYPE: Housing units, Two-bolt flanged housing units, Cast iron housing, Radial insert ball bearing with adapter sleeve, With inner ring extended on both sides



Technical specification

DIMENSIONS, MM

d	35,000
D	80,000
B	46,000
L	105,000
H	172,000
A	37,500
J	143,500
A1	13,000
A2	24,000
N	14,000
d3	58,000
U	48,500
Q	R1/8"

Bearing	UK208 +
Housing	FLE208
Adapter sleeve	H2308

MANUFACTURER

[ABC](#)

INTERCHANGE

SKF	FYTJ 40 KF
SNR	UKFLE208H

WEIGHT, KG

1,700