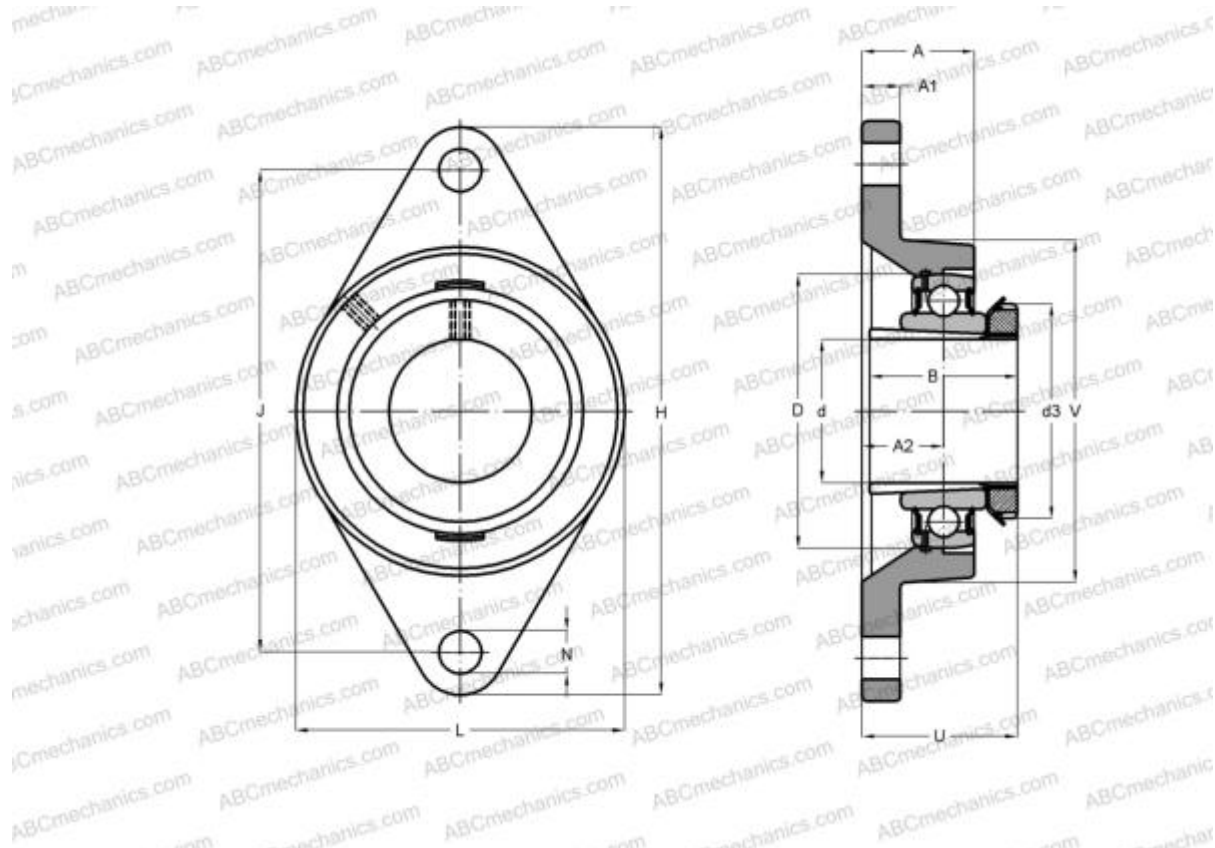


## UKFL206H SNR

Ball bearing units

TYPE: Housing units, Two-bolt flanged housing units, Cast iron housing, Radial insert ball bearing with adapter sleeve, With inner ring extended on both sides, massive bearing units



### Technical specification

#### DIMENSIONS, MM

d	25,000
D	62,000
B	38,000
L	80,000
H	148,000
A	31,000
J	117,000
A1	13,000
A2	18,000
N	16,000
d3	45,000
U	38,500
Q	M6x1

**WEIGHT, KG** 1,000

#### CALCULATION DATA

Operating temperature max	110 °C
---------------------------	--------

Bearing	UK206 +
Housing	FL206
Adapter sleeve	H2306

#### MANUFACTURER

[SNR](#)

#### INTERCHANGE

ABC	<a href="#">UKFL206H</a>
SLB	<a href="#">UKFL 206</a>
FYH	<a href="#">UKFL 206</a>
NTN	<a href="#">UKFL 206 D1</a>

#### CALCULATION DATA

Basic dynamic load rating, C	19,500 kN
Basic static load rating, Co	11,200 kN
Operating temperature min	-20 °C