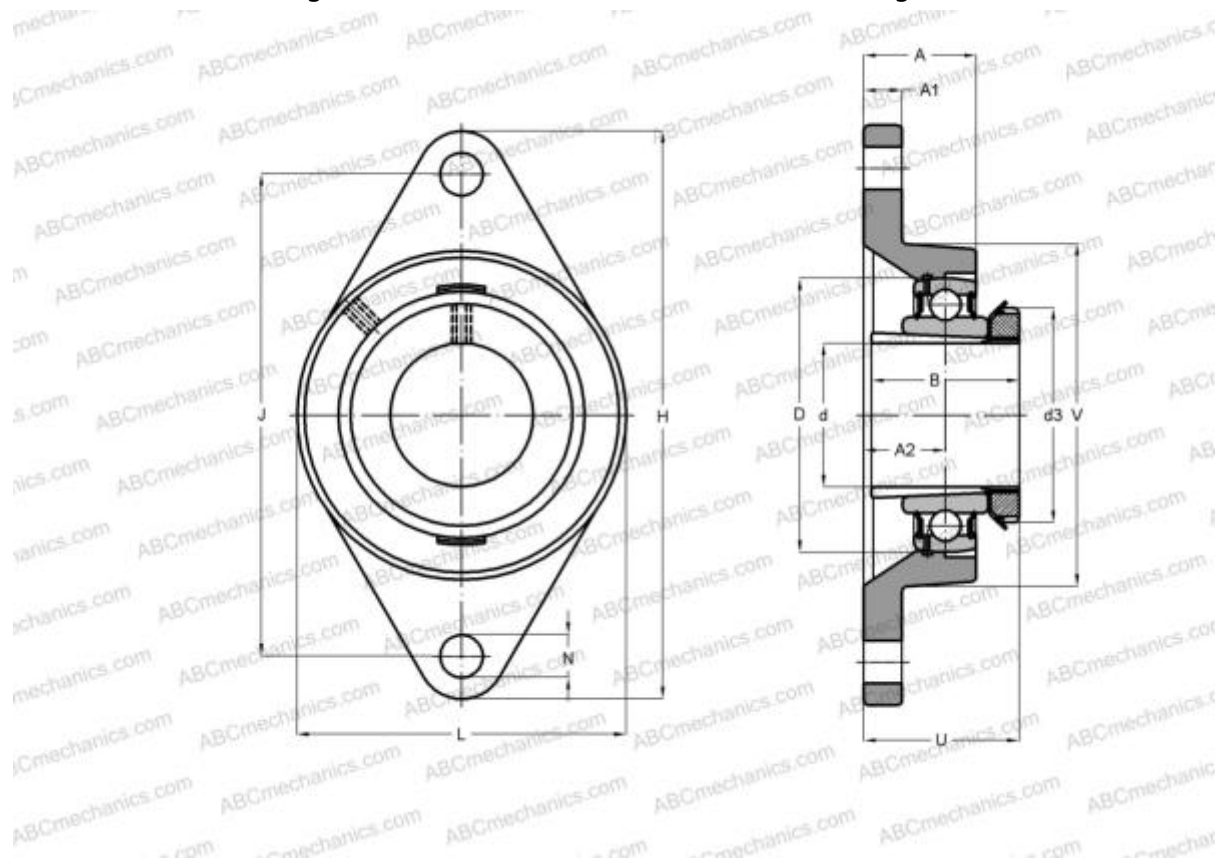


UKFL306H ABC

Ball bearing units

TYPE: Housing units, Two-bolt flanged housing units, Cast iron housing, Radial insert ball bearing with adapter sleeve, With inner ring extended on both sides, massive bearing units



Technical specification

DIMENSIONS, MM

d	25,000
D	72,000
B	38,000
L	90,000
H	180,000
A	32,000
J	134,000
A1	15,000
A2	18,000
N	23,000
d3	45,000
U	41,000
Q	M6x1

Bearing	UK306 +
Housing	FL306
Adapter sleeve	H2306

MANUFACTURER

[ABC](#)

INTERCHANGE

SNR	UKFL306H
-----	--------------------------

WEIGHT, KG

1,400