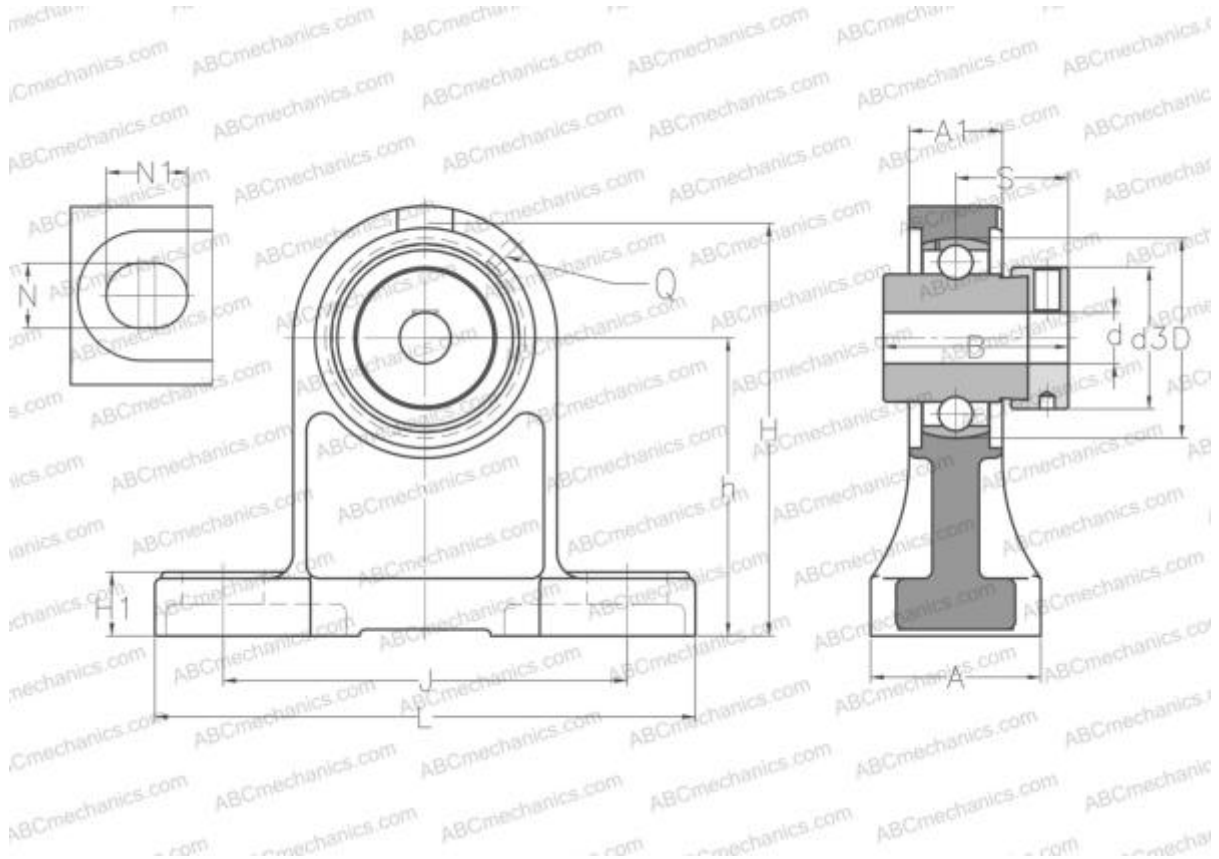


EXPH202 SNR

Ball bearing units

TYPE: Housing units, Plummer block, Cast iron housing, Radial insert ball bearing with eccentric locking collar, With inner ring extended on both sides, high units



Technical specification

DIMENSIONS, MM

d	15,000
D	47,000
B	43,500
L	127,000
H	101,000
A	22,000
J	95,000
A1	40,000
H1	15,000
N	13,000
N1	19,000
S	26,500
d3	33,300
h	70,000
Q	M6x1

WEIGHT, KG

	1,000
Bearing	EX202
Housing	PH204

MANUFACTURER

[SNR](#)

INTERCHANGE

ABC	EXPH202
-----	-------------------------

CALCULATION DATA

Basic dynamic load rating, C	12,800 kN
Basic static load rating, Co	6,650 kN
Operating temperature min	-20 °C
Operating temperature max	110 °C