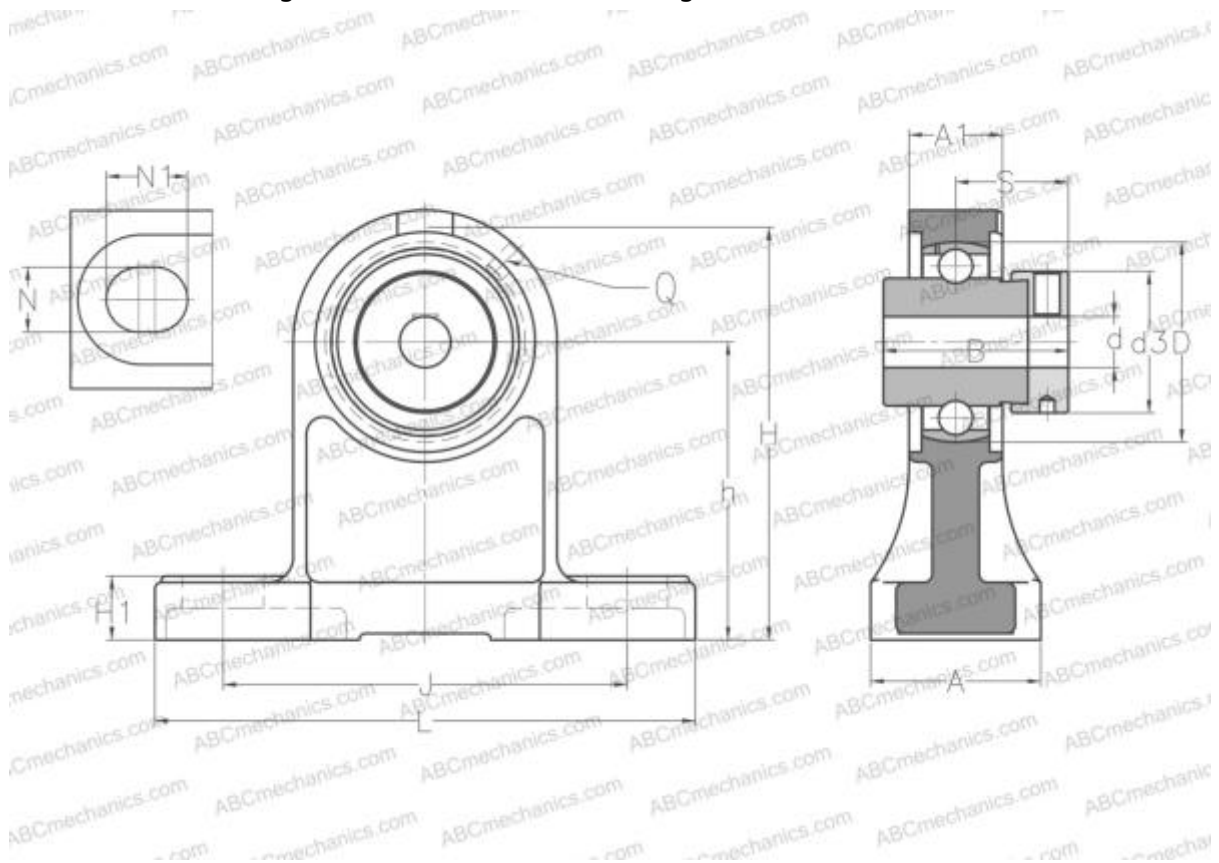


## EXPH205 ABC

Ball bearing units

TYPE: Housing units, Plummer block, Cast iron housing, Radial insert ball bearing with eccentric locking collar, With inner ring extended on both sides, high units



### Technical specification

#### DIMENSIONS, MM

d	25,000
D	52,000
B	44,300
L	140,000
H	114,000
A	24,000
J	105,000
A1	50,000
H1	16,000
N	13,000
N1	19,000
S	26,900
d3	38,100
h	80,000
Q	M6x1

#### WEIGHT, KG

	1,200
Bearing	EX205
Housing	PH205

#### MANUFACTURER

[ABC](#)

#### INTERCHANGE

SNR	<a href="#">EXPH205</a>
-----	-------------------------