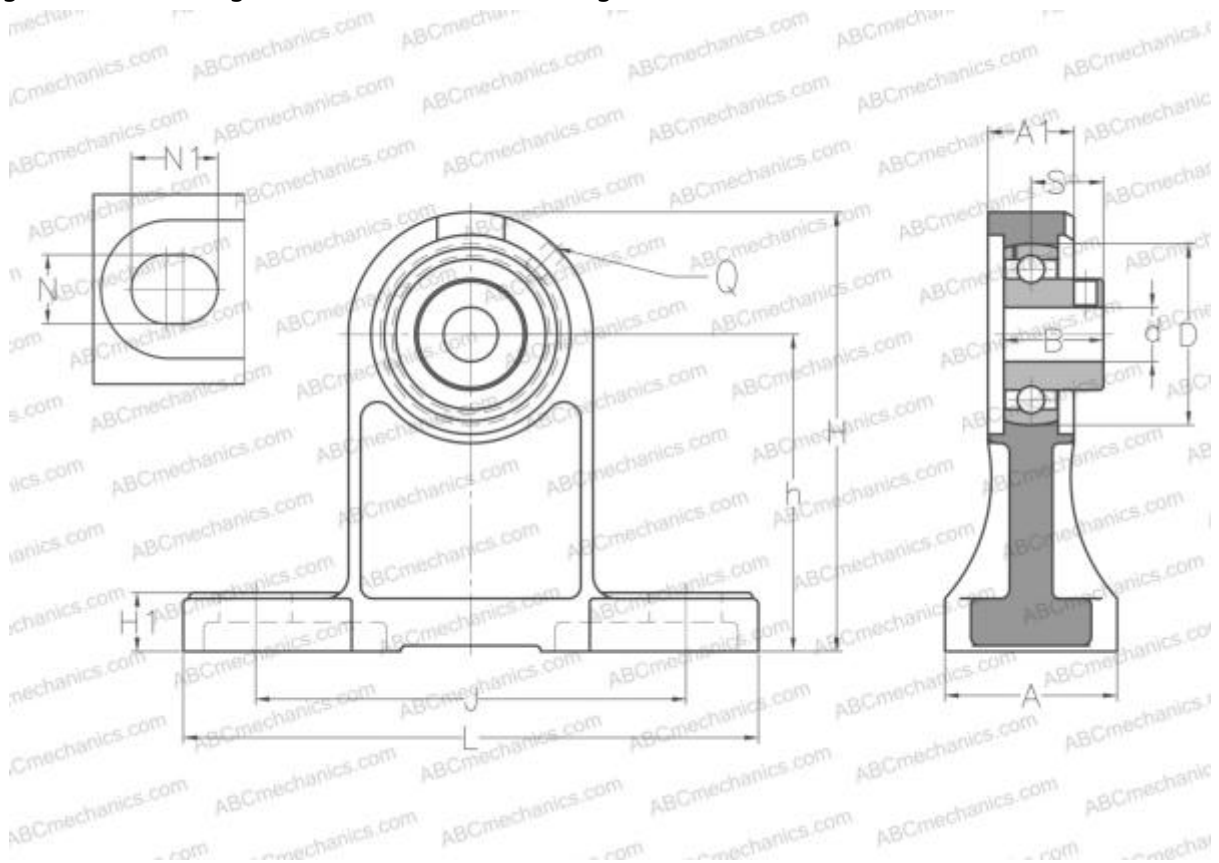


USPH202 SNR

Ball bearing units

TYPE: Housing units, Plummer block, Cast iron housing, Radial insert ball bearing with grub screws in inner ring, With inner ring extended at one side, high units



Technical specification

DIMENSIONS, MM

| | |
|----|---------|
| d | 15,000 |
| D | 40,000 |
| B | 22,000 |
| L | 127,000 |
| H | 97,000 |
| A | 19,000 |
| J | 95,000 |
| A1 | 38,000 |
| H1 | 13,000 |
| N | 12,000 |
| N1 | 16,000 |
| S | 16,000 |
| h | 70,000 |
| Q | M6x1 |

WEIGHT, KG

| | |
|---------|-------|
| | 0,700 |
| Bearing | US202 |
| Housing | PH203 |

MANUFACTURER

[SNR](#)

INTERCHANGE

| | |
|-----|-------------------------|
| ABC | USPH202 |
|-----|-------------------------|

CALCULATION DATA

| | |
|------------------------------|----------|
| Basic dynamic load rating, C | 9,550 kN |
| Basic static load rating, Co | 4,780 kN |
| Operating temperature min | -20 °C |
| Operating temperature max | 110 °C |