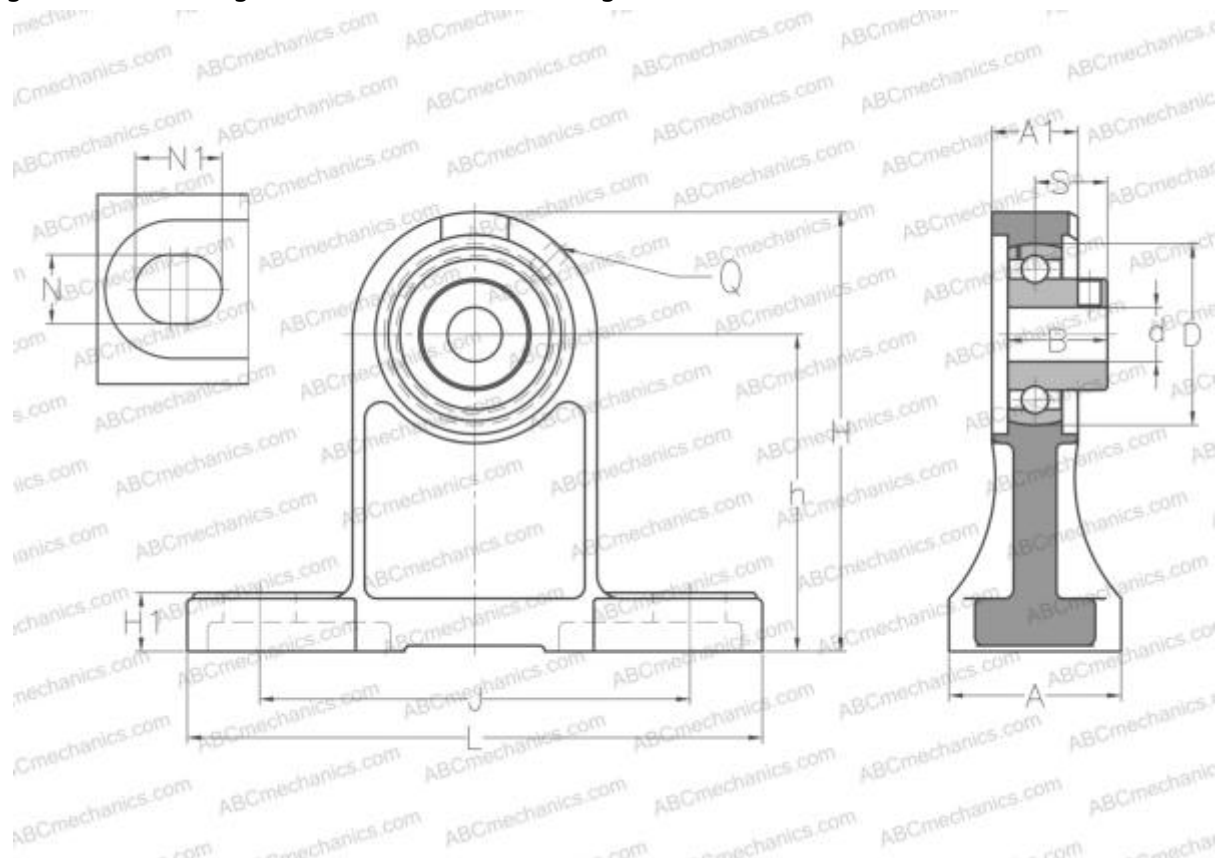


USPH204 SNR

Ball bearing units

TYPE: Housing units, Plummer block, Cast iron housing, Radial insert ball bearing with grub screws in inner ring, With inner ring extended at one side, high units



Technical specification

DIMENSIONS, MM

d	20,000
D	47,000
B	25,000
L	127,000
H	101,000
A	22,000
J	95,000
A1	40,000
H1	15,000
N	13,000
N1	19,000
S	18,000
h	70,000
Q	M6x1

WEIGHT, KG

	0,800
Bearing	US204
Housing	PH204

MANUFACTURER

[SNR](#)

INTERCHANGE

ABC	USPH204
-----	-------------------------

CALCULATION DATA

Basic dynamic load rating, C	12,800 kN
Basic static load rating, Co	6,650 kN
Operating temperature min	-20 °C
Operating temperature max	110 °C