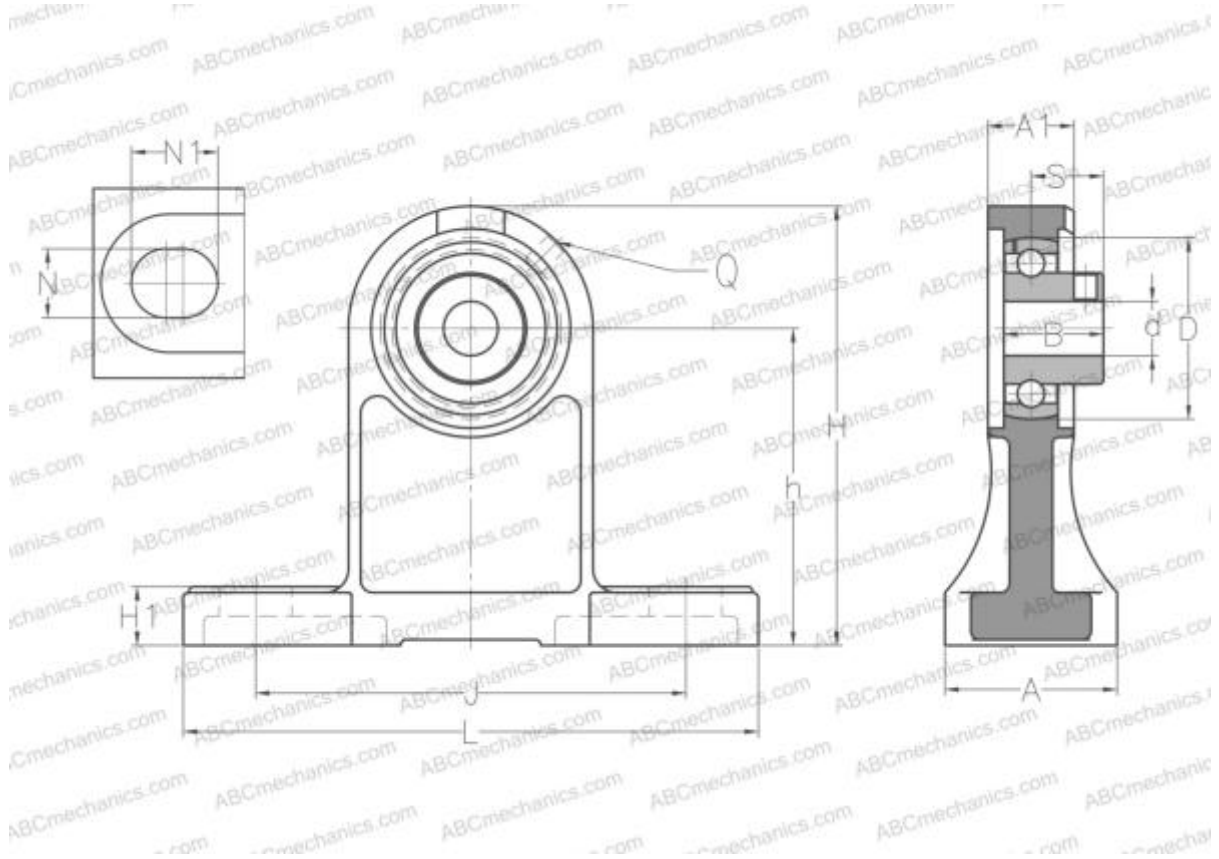


USPH205 ABC

Ball bearing units

TYPE: Housing units, Plummer block, Cast iron housing, Radial insert ball bearing with grub screws in inner ring, With inner ring extended at one side, high units



Technical specification

DIMENSIONS, MM

d	25,000
D	52,000
B	27,000
L	140,000
H	114,000
A	24,000
J	105,000
A1	50,000
H1	16,000
N	13,000
N1	19,000
S	19,500
h	80,000
Q	M6x1

WEIGHT, KG

Bearing	1,200
Housing	US205
	PH205

MANUFACTURER

[ABC](#)

INTERCHANGE

SNR	USPH205
-----	-------------------------