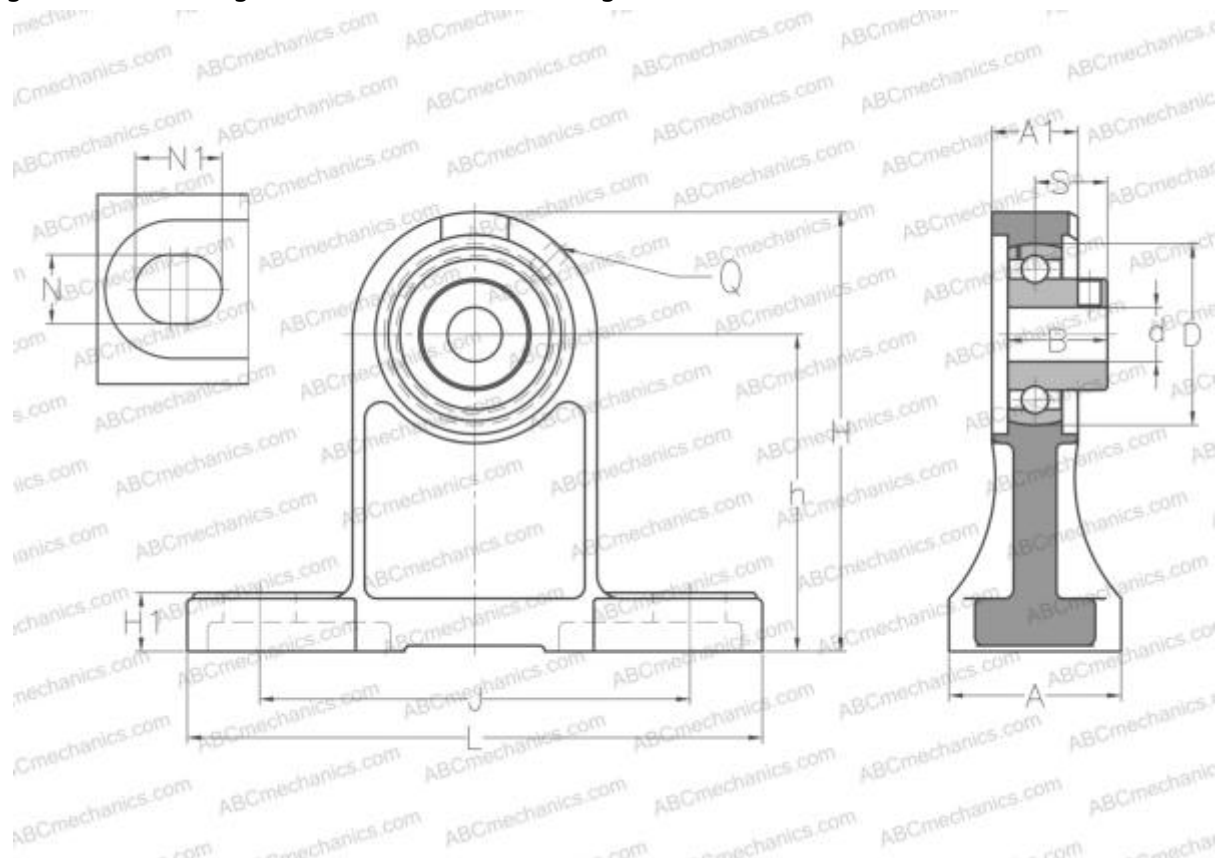


## USPH205 SNR

Ball bearing units

TYPE: Housing units, Plummer block, Cast iron housing, Radial insert ball bearing with grub screws in inner ring, With inner ring extended at one side, high units



### Technical specification

#### DIMENSIONS, MM

d	25,000
D	52,000
B	27,000
L	140,000
H	114,000
A	24,000
J	105,000
A1	50,000
H1	16,000
N	13,000
N1	19,000
S	19,500
h	80,000
Q	M6x1

#### WEIGHT, KG

	1,200
Bearing	US205
Housing	PH205

#### MANUFACTURER

[SNR](#)

#### INTERCHANGE

ABC	<a href="#">USPH205</a>
-----	-------------------------

#### CALCULATION DATA

Basic dynamic load rating, C	14,000 kN
Basic static load rating, Co	7,880 kN
Operating temperature min	-20 °C
Operating temperature max	110 °C