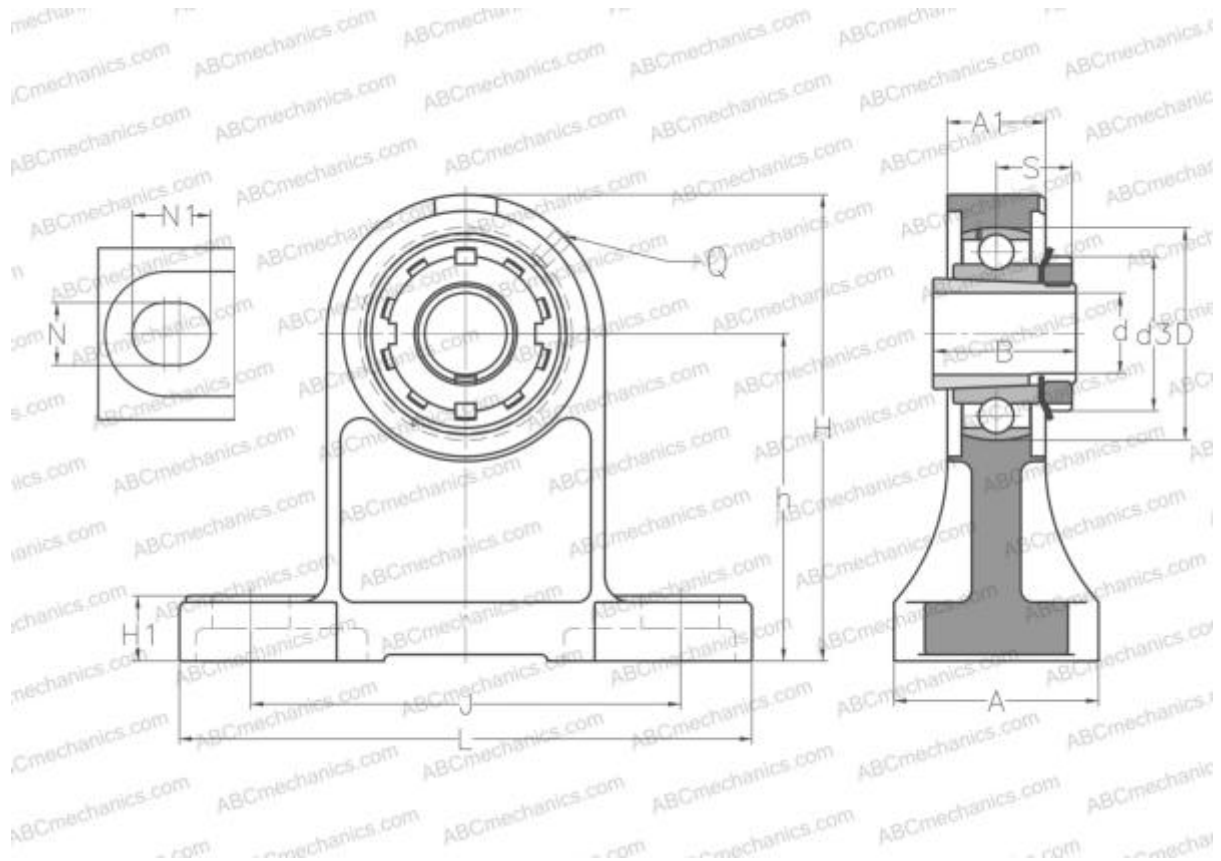


UKPH208H ABC

Ball bearing units

TYPE: Housing units, Plummer block, Cast iron housing, Radial insert ball bearing with adapter sleeve, With inner ring extended on both sides, high units



Technical specification

DIMENSIONS, MM

d	35,000
D	80,000
B	46,000
L	184,000
H	149,000
A	34,000
J	137,000
A1	70,000
H1	19,000
N	17,000
N1	25,000
S	24,500
d3	58,000
h	100,000
Q	M6x1

WEIGHT, KG

	2,900
Bearing	UK208 +
Housing	PH208
Adapter sleeve	H2308

MANUFACTURER

[ABC](#)

INTERCHANGE

SNR [UKPH208H](#)