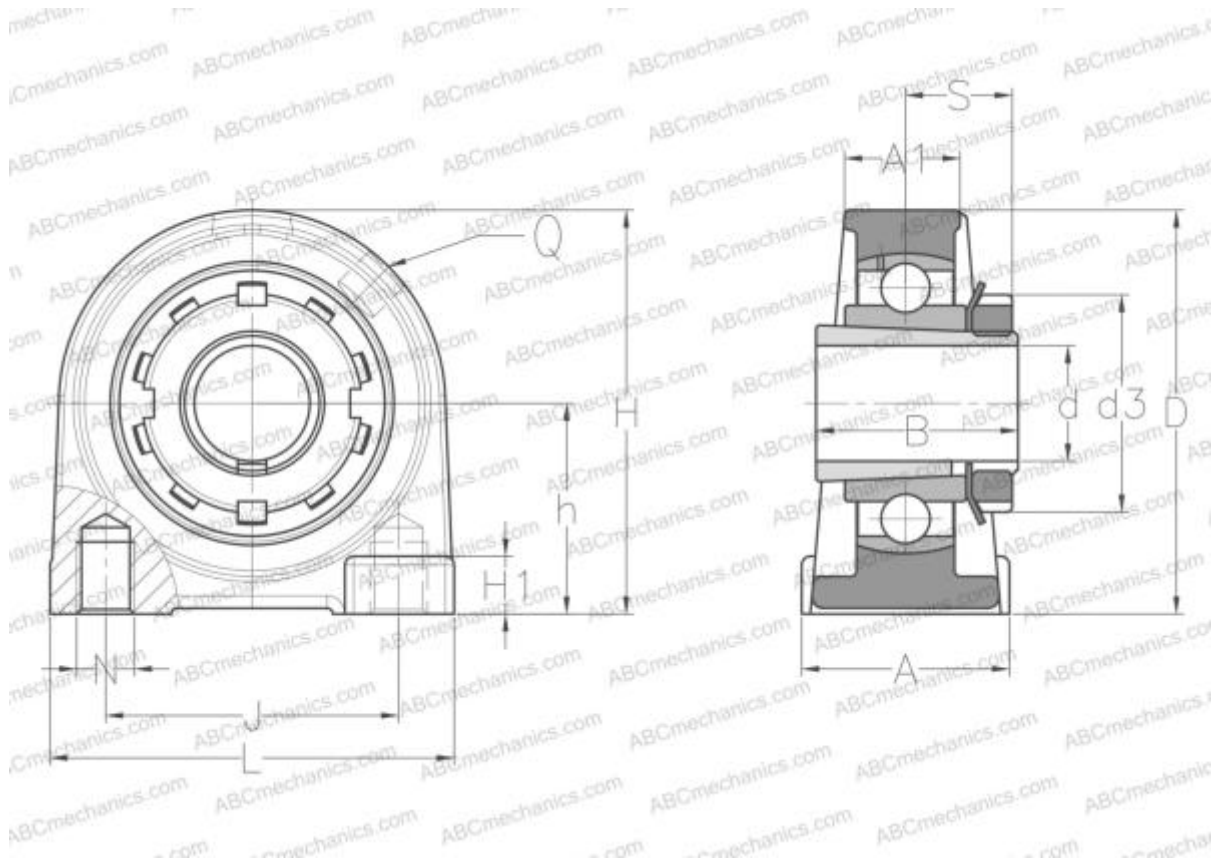


## UKPAE205H SNR

Ball bearing units

TYPE: Housing units, Plummer block, Narrow cast iron housing, Radial insert ball bearing with adapter sleeve, Подшипниковые узлы



### Technical specification

#### DIMENSIONS, MM

d	20,000
D	52,000
B	35,000
L	70,000
H	70,000
A	36,000
J	50,800
A1	21,000
H1	10,000
S	18,500
d3	38,000
h	36,500
Q	R1/8"

**WEIGHT, KG** 0,600

Bearing	UK205 +
Housing	PAE205
Adapter sleeve	H2305

#### MANUFACTURER

[SNR](#)

#### INTERCHANGE

ABC [UKPAE205H](#)

#### CALCULATION DATA

Basic dynamic load rating, C	14,000 kN
Basic static load rating, Co	7,880 kN
Operating temperature min	-20 °C
Operating temperature max	110 °C