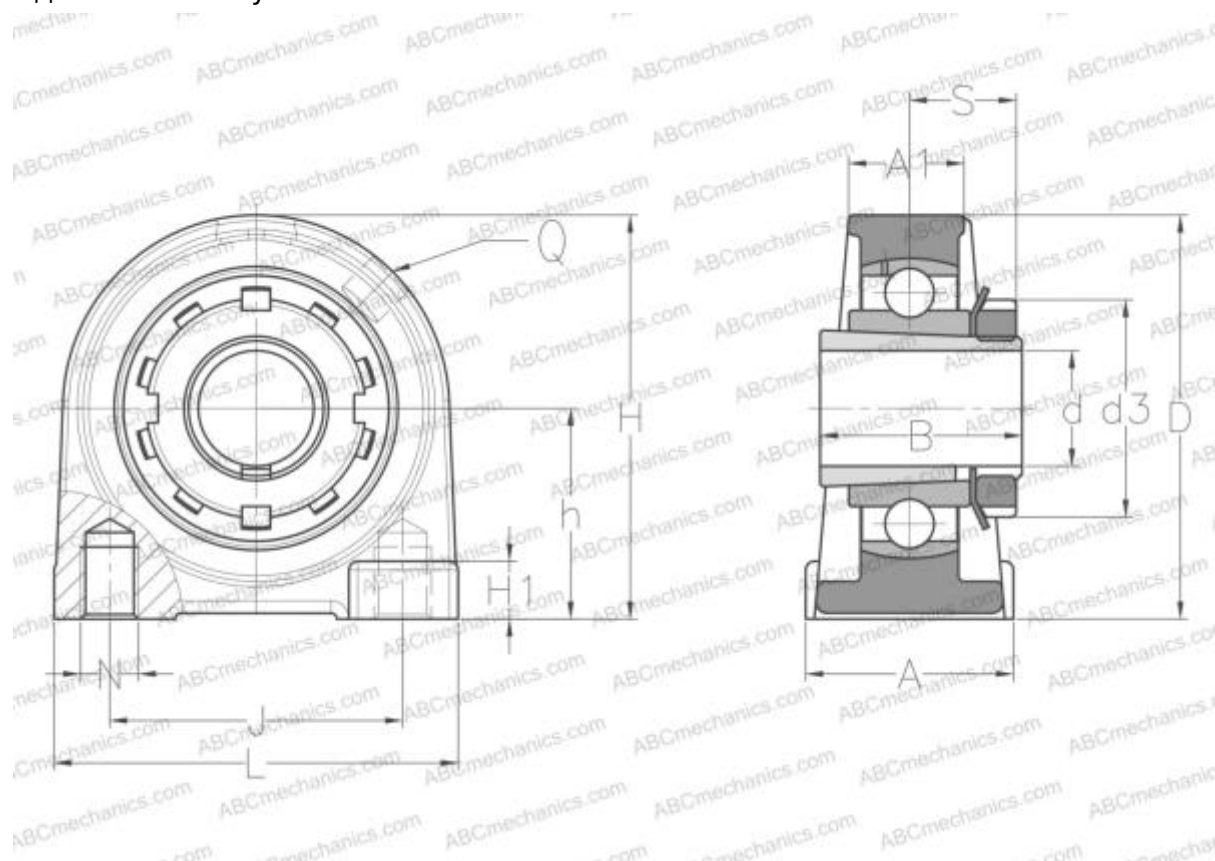


## UKPAE206H ABC

Ball bearing units

TYPE: Housing units, Plummer block, Narrow cast iron housing, Radial insert ball bearing with adapter sleeve, Подшипниковые узлы



### Technical specification

#### DIMENSIONS, MM

d	25,000
D	62,000
B	38,000
L	98,000
H	82,000
A	38,000
J	76,200
A1	25,000
H1	11,000
S	20,500
d3	45,000
h	42,900
Q	R1/8"

**WEIGHT, KG** 1,000

Bearing	UK206 +
Housing	PAE206
Adapter sleeve	H2306

#### MANUFACTURER

[ABC](#)

#### INTERCHANGE

SNR [UKPAE206H](#)