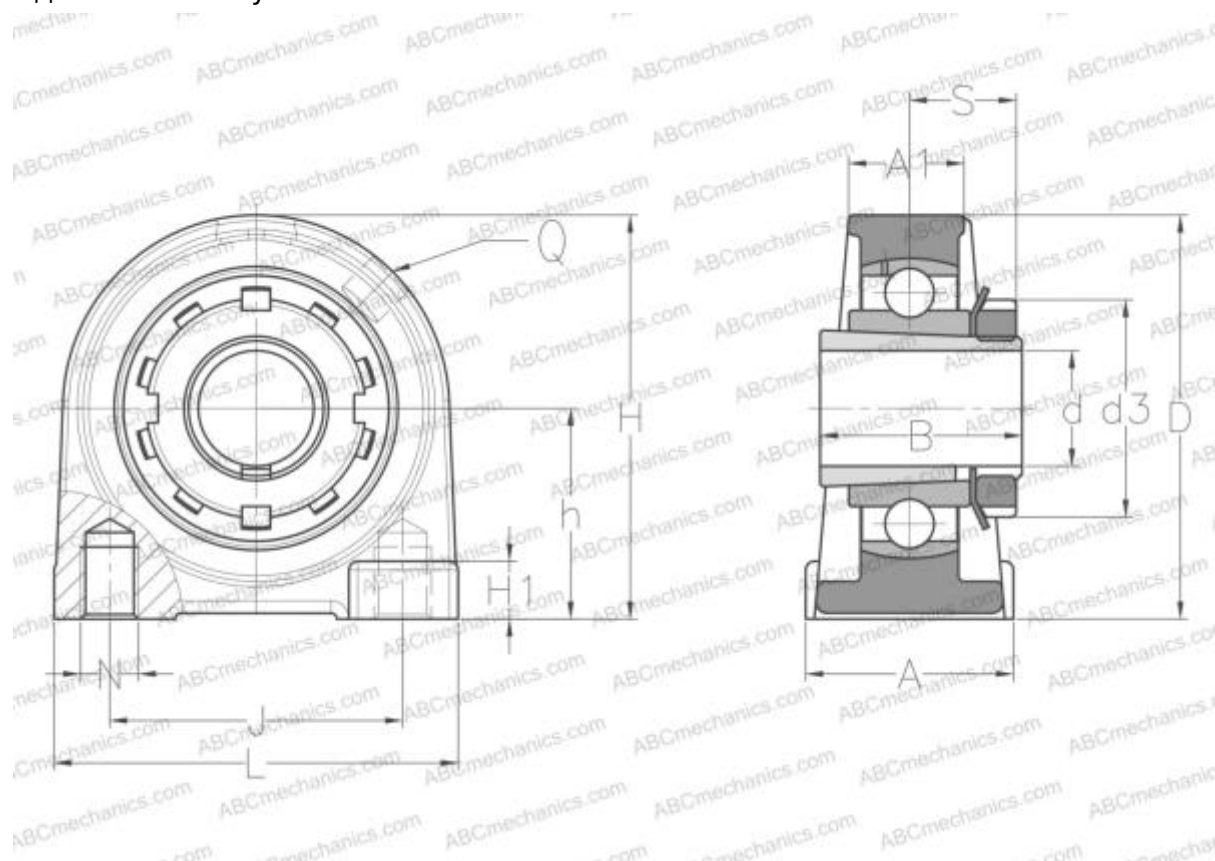


УКРАЕ209Н ABC

Ball bearing units

TYPE: Housing units, Plummer block, Narrow cast iron housing, Radial insert ball bearing with adapter sleeve, Подшипниковые узлы



Technical specification

DIMENSIONS, MM

d	40,000
D	85,000
B	50,000
L	120,000
H	107,000
A	48,000
J	95,300
A1	32,000
H1	14,000
S	26,000
d3	65,000
h	53,900
Q	R1/8"

WEIGHT, KG 2,000

Bearing	UK209 +
Housing	PAE209
Adapter sleeve	H2309

MANUFACTURER

[ABC](#)

INTERCHANGE

SNR [UKPAE209H](#)