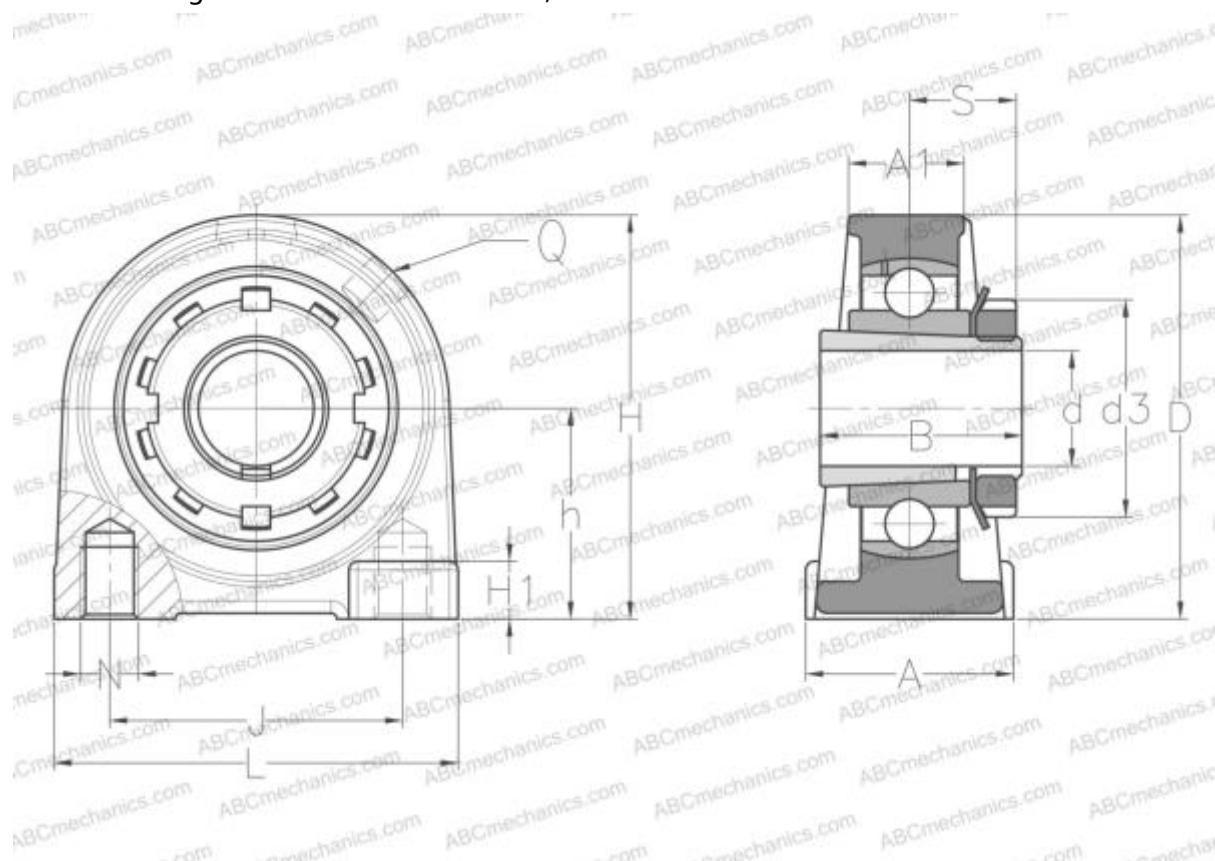


## UKPG207H ABC

Ball bearing units

TYPE: Housing units, Plummer block, Narrow cast iron housing, Radial insert ball bearing with adapter sleeve, With inner ring extended on both sides, wide base



### Technical specification

#### DIMENSIONS, MM

d	30,000
D	72,000
B	43,000
L	100,000
H	93,000
A	48,000
J	68,000
A1	27,000
H1	20,000
S	22,500
d3	52,000
h	47,600
Q	M6x1

Bearing	UK207 +
Housing	PG207
Adapter sleeve	H2307

#### MANUFACTURER

[ABC](#)

#### INTERCHANGE

SNR	<a href="#">UKPG207H</a>
-----	--------------------------

**WEIGHT, KG** 1,600