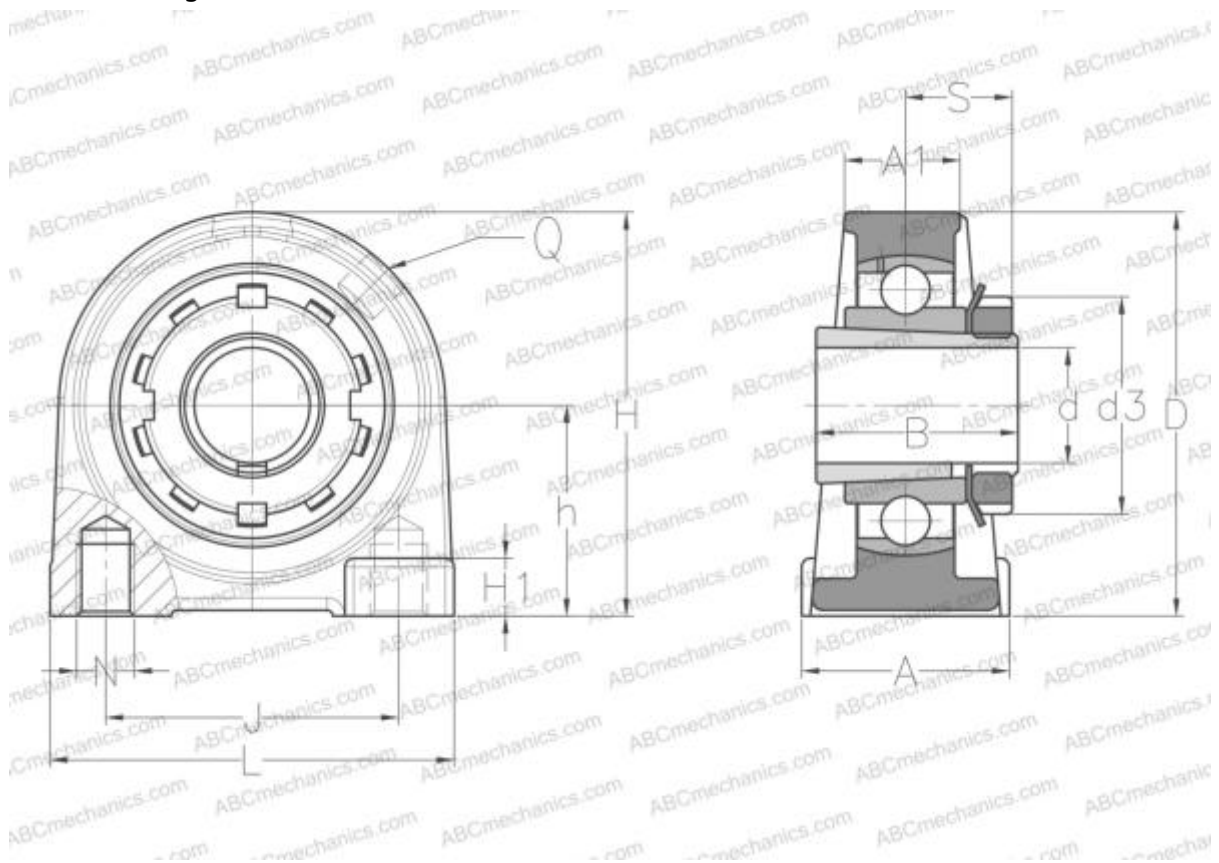


UKPG208H ABC

Ball bearing units

TYPE: Housing units, Plummer block, Narrow cast iron housing, Radial insert ball bearing with adapter sleeve, With inner ring extended on both sides, wide base



Technical specification

DIMENSIONS, MM

d	35,000
D	80,000
B	46,000
L	110,000
H	98,000
A	54,000
J	78,000
A1	30,000
H1	20,000
S	24,500
d3	58,000
h	49,200
Q	M6x1

WEIGHT, KG 1,900

Bearing	UK208 +
Housing	PG208
Adapter sleeve	H2308

MANUFACTURER

[ABC](#)

INTERCHANGE

SNR [UKPG208H](#)