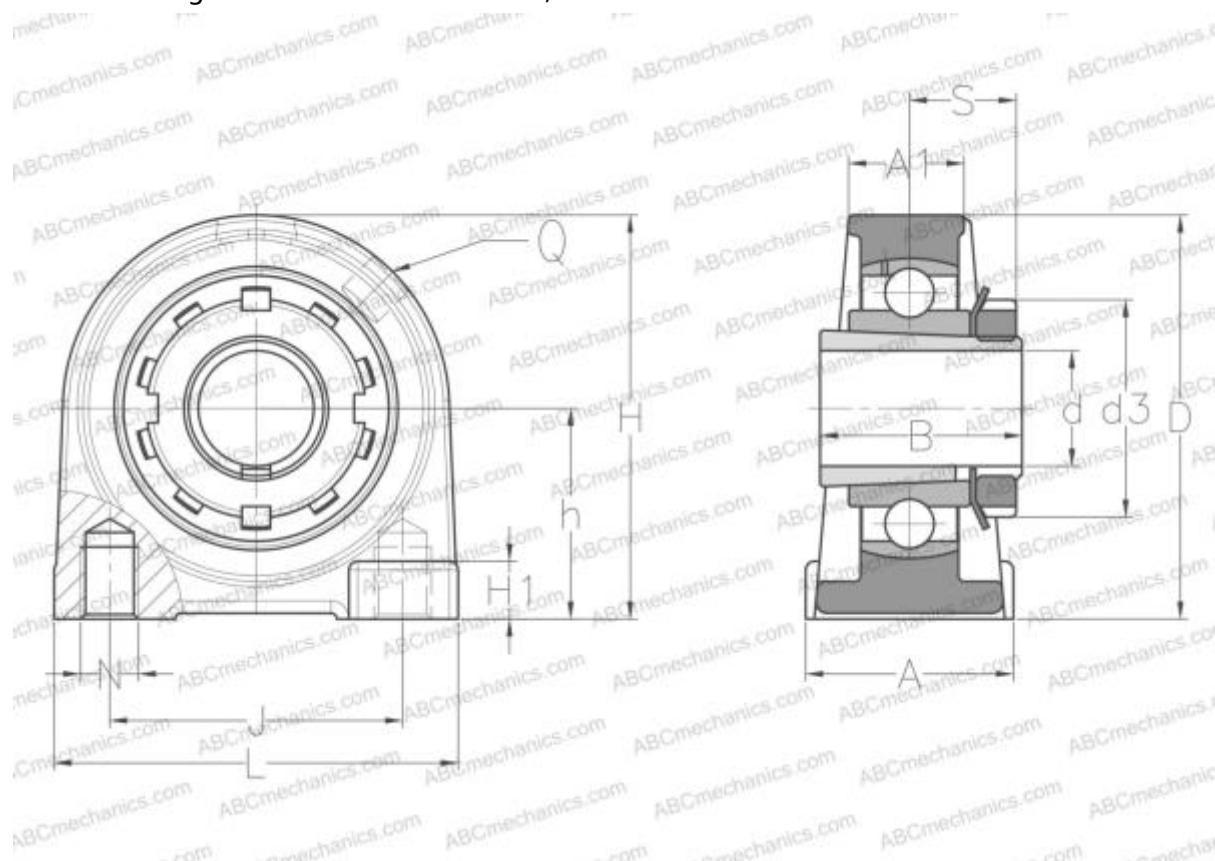


## UKPG208H SNR

Ball bearing units

TYPE: Housing units, Plummer block, Narrow cast iron housing, Radial insert ball bearing with adapter sleeve, With inner ring extended on both sides, wide base



### Technical specification

#### DIMENSIONS, MM

d	35,000
D	80,000
B	46,000
L	110,000
H	98,000
A	54,000
J	78,000
A1	30,000
H1	20,000
S	24,500
d3	58,000
h	49,200
Q	M6x1

Bearing	UK208 +
Housing	PG208
Adapter sleeve	H2308

#### MANUFACTURER

[SNR](#)

#### INTERCHANGE

ABC	<a href="#">UKPG208H</a>
-----	--------------------------

#### CALCULATION DATA

Basic dynamic load rating, C	29,600 kN
Basic static load rating, Co	18,200 kN
Operating temperature min	-20 °C
Operating temperature max	110 °C

**WEIGHT, KG** 1,900